

ROBUST AND ELEGANT SOLUTIONS TO CREATE THE PERFECT MATCH

Ningbo Freelux Lighting Appliance co., Ltd

Mb.:86 135 0588 0227

Email: allen@freelux.com.cn

Tel:86-574-88847555

Web:www.freelux.com.cn

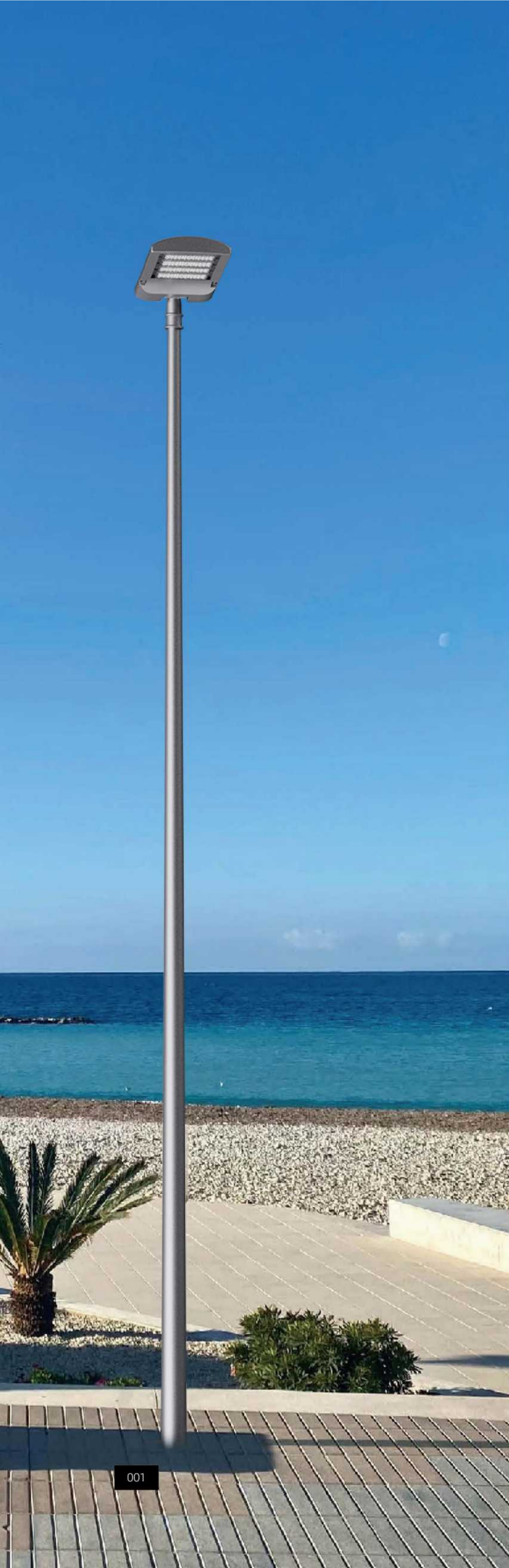
Add: No.228 Kaiyuan Road,High Technology Industrial Zone ,Fenghua Ningbo,China



PSL008

LED City Circuit Light

CE | CB | RoHS | IP66 | IK08

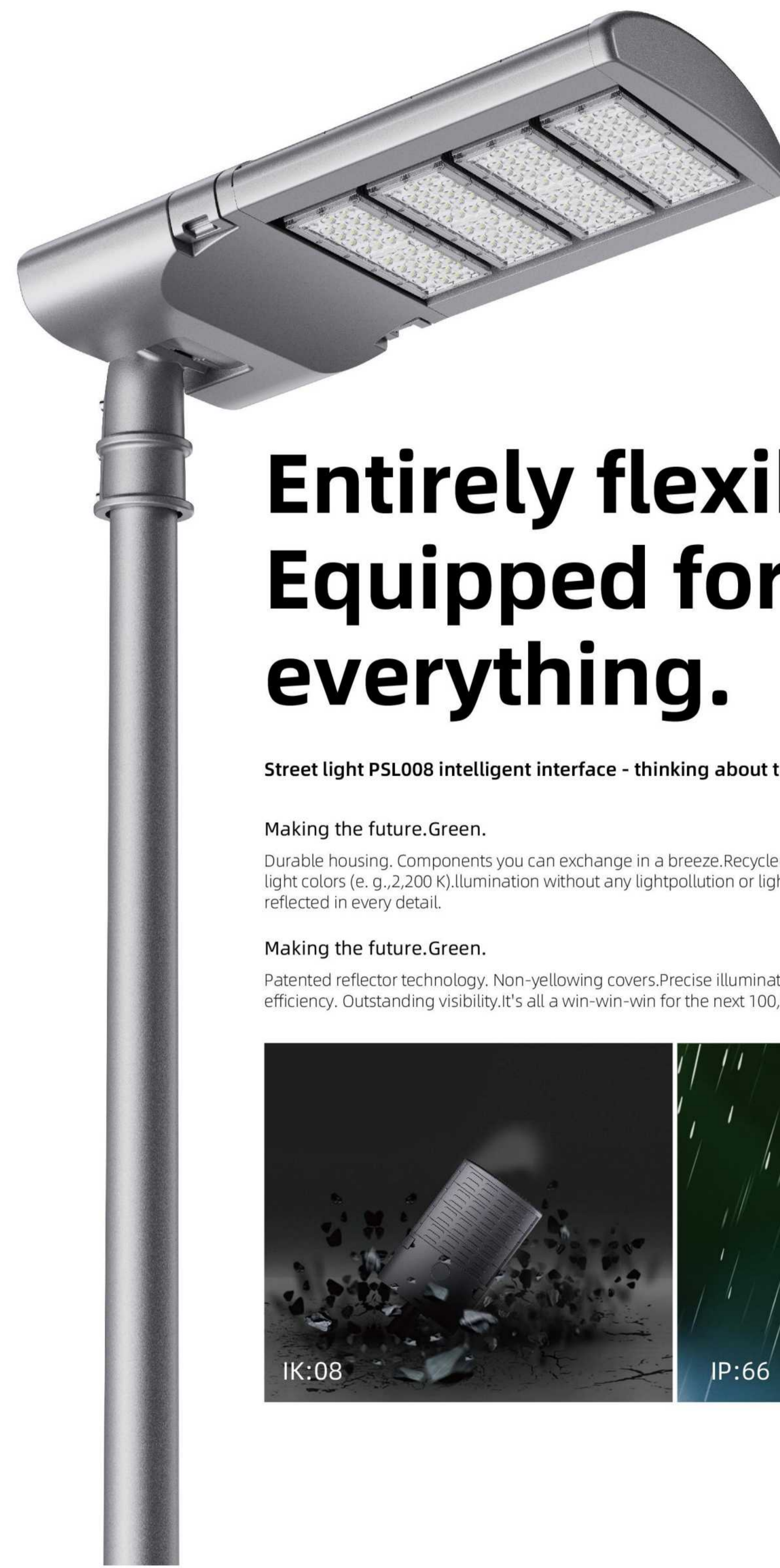


Imagine that you could have everything: perfect lighting. This has provided convenience, Today's intelligent features. What about tomorrow? Even more - more, more.

Sounds good, doesn't it? The best thing is: this is already reality. PSL008 street lighting technology, efficiency, and environmental protection. Through intelligent interfaces, you can gain convenience, future feasibility, intelligent control, intelligent diagnosis, and flexible connectivity.

Streetlight PSL008

Making the future. Secure.



Entirely flexible. Equipped for everything.

Street light PSL008 intelligent interface - thinking about the future. Take a step ahead.

Making the future. Green.

Durable housing. Components you can exchange in a breeze. Recycled and recyclable materials. Insect-friendly light colors (e. g., 2,200 K). Illumination without any light pollution or light spill (ULOR O). Environmental protection reflected in every detail.

Making the future. Green.

Patented reflector technology. Non-yellowing covers. Precise illumination. Dark sky. Maximum LED output. Top efficiency. Outstanding visibility. It's all a win-win-win for the next 100,000 hours and beyond.



IK:08



IP:66



PSL008 City circuit light series

Technical norm

General highlights

- Used for any outdoor lighting places such as roads, squares, scenic spots, etc
- Working temperature: -30 °C/+50 °C
- Adopting buckle design for easy installation and maintenance
- Using high-quality chips
- Less light decay, long-lasting and durable
- The sleeve adopts a clamping design
- Lamp poles with different calibers
- Excellent heat dissipation

Shell and Finish

- Corrosion resistant die cast aluminum casing
- Electrostatic powder coating
- Protection level: IP66
- Impact protection: IK08

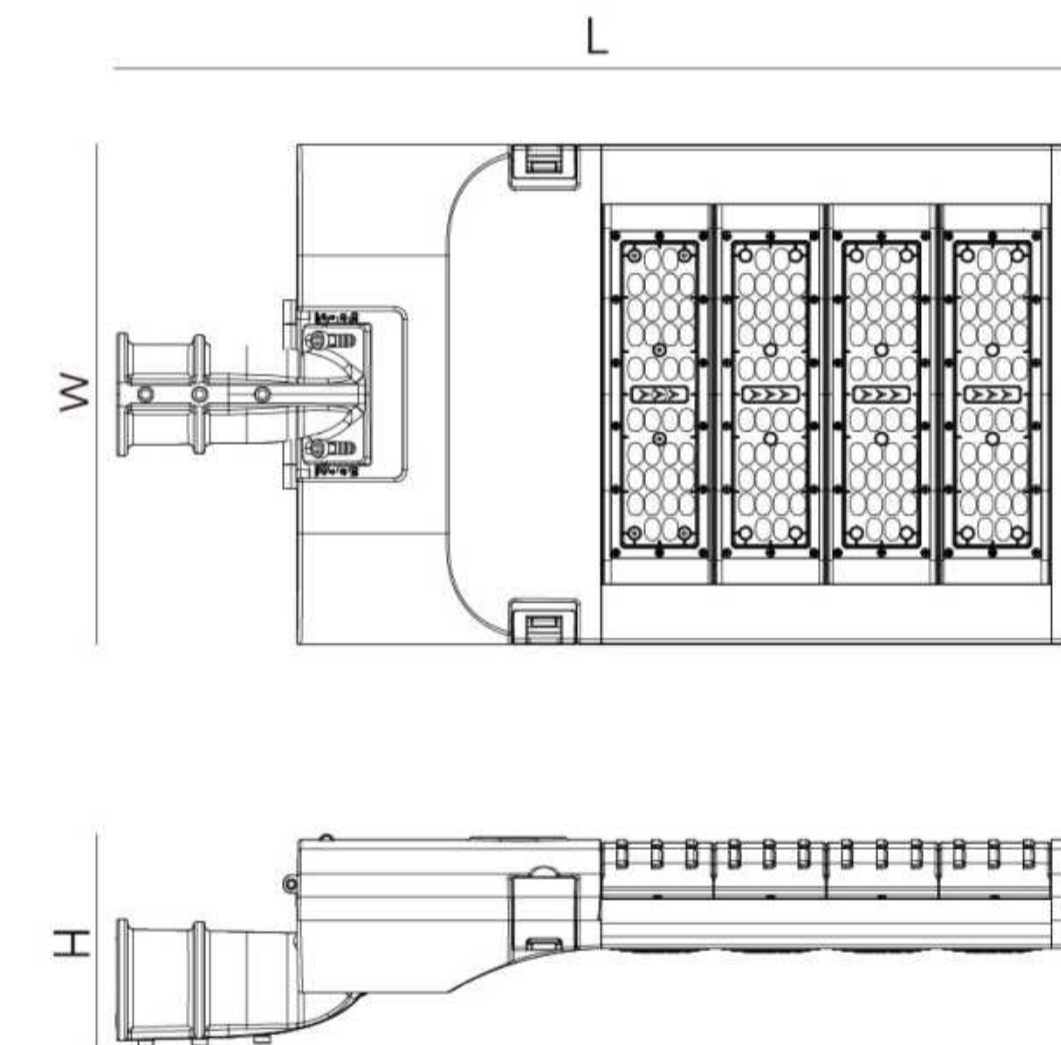
Optical properties

- Different lens arrangements in different areas and installation areas
- Uniform light distribution
- Modular design of light source for easy replacement
- Lumen output (absolute metering): 10800lm-36000lm
- Color temperature: 2700K-6500K
- Color rendering index:>70



Technical Parameter							
Model	PSL008-A	PSL008-B	PSL008-C	PSL008-D	PSL008-E	PSL008-F	PSL008-G
Power	50W-60W	100W-120W	150W-200W	200W-250W	250W-300W	350W-400W	500W
INPUT VOLTAGE	AC100-277V						
Frequency range	50Hz/60Hz						
Power factor	> 0.95						
Whole lighting effect	160Lm/W						
LED lifespan	50000H						
Rendering Index	CRI > 70						
Color temperature	2700K-6500K						
IP	IP66						
IK	IK08						
THD	< 20%						
SPD	10KV						
Operation temperature	-30~+50°C						
Storage temperature	-20°C~60°C 10%-90% RH						
Lens Material	PC						
Installation height	6m-8m	6m-8m	8m-10m	8m-10m	10m-12m	10m-12m	12m-14m

Product size (mm)



产品型号	L	W	H
PSL008-A	477	361	119
PSL008-B	558	361	119
PSL008-C	639	361	119
PSL008-D	720	361	119
PSL008-E	801	361	119
PSL008-F	914	361	119
PSL008-G	1076	361	119

Three-view drawing



Detail display

The casing is made of corrosion-resistant die-cast aluminum (ADC12), With corrosion-resistant powder coating.



The lighting fixtures have a detachable design and flexible combination of multiple modes. (The number of modules can be increased according to demand)

High strength imported PC optical lens, Bat wing light distribution. Easy to replace lens.

Adjustable sleeve angle, There are two installation methods available

100-277V	CRI 70
10-90%RH	PF >0.95
CCT 4000K~6500K	50000H
50-60Hz	-30°C 50°C
IP66	IK08

If necessary, various sensors/light management systems can be equipped at this position of the lamp to achieve functions such as photo-electric timing, dimming, remote management, and fault alarm.

• Electrical compartment design





A hexagonal wrench can quickly and safely tighten screws and complete installation.



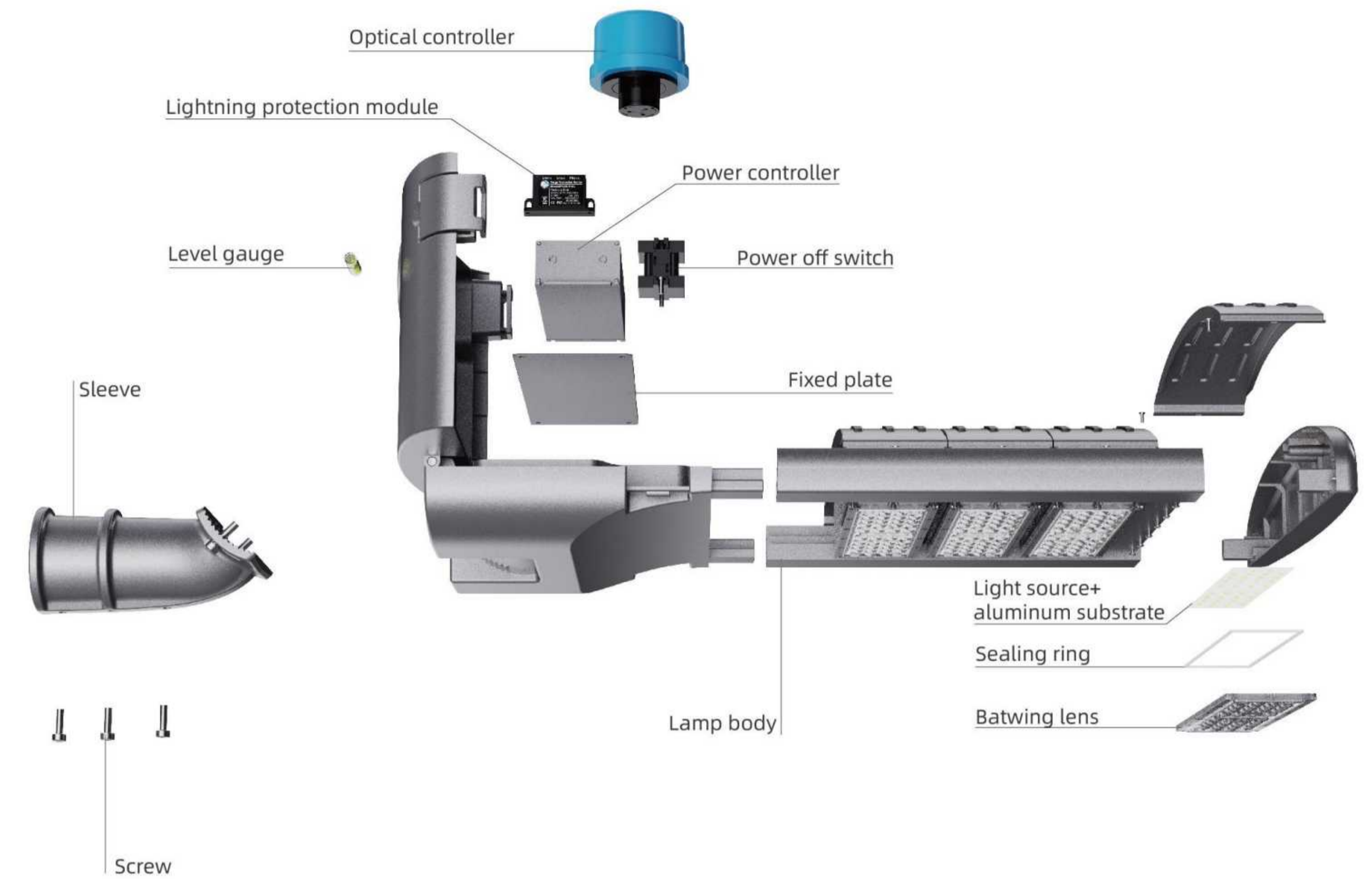
The plug and play design concept allows for simple and safe installation: the factory has installed an 8m connecting cable, which can be installed without opening the lighting fixture. Longer cables can be provided according to requirements.



Installation of one lamp and two lamps:
For horizontal and vertical installation, suitable installation methods can be selected based on different lighting requirements.



Structure display



- ◎ The classic integrated heat dissipation hole design increases heat dissipation efficiency, making the lamp efficient in heat dissipation.
- ◎ There are various optical components to choose from.
- ◎ Independent power drive for easy maintenance.
- ◎ Two installation methods: horizontal installation, vertical installation, and adjustable support angle.
- ◎ The lightning protection module can protect electrical equipment from damage caused by lightning overvoltage, operating overvoltage, and power frequency transient overvoltage.
- ◎ The optical controller can be optionally installed to facilitate optical control and other intelligent controls.

Optical with PC lenses with high visual comfort and uniform lighting distribution, multiple optical distribution options.

Destination	Distribution	Applications
		Asymmetric Light distribution for roadways with wide distance between two poles. Note: This optic is not dedicated to this application only. It can also be used for other configurations.
		Roadway light distribution for wide streets. Note: This optic is not dedicated to this application only. It can also be used for other configurations.
		The lamps are installed in the asymmetric lighting of low height residential areas. Note: This optic is not dedicated to this application only. It can also be used for other configurations.
		Wide asymmetric light distribution. Note: This optic is not dedicated to this application only. It can also be used for other configurations.

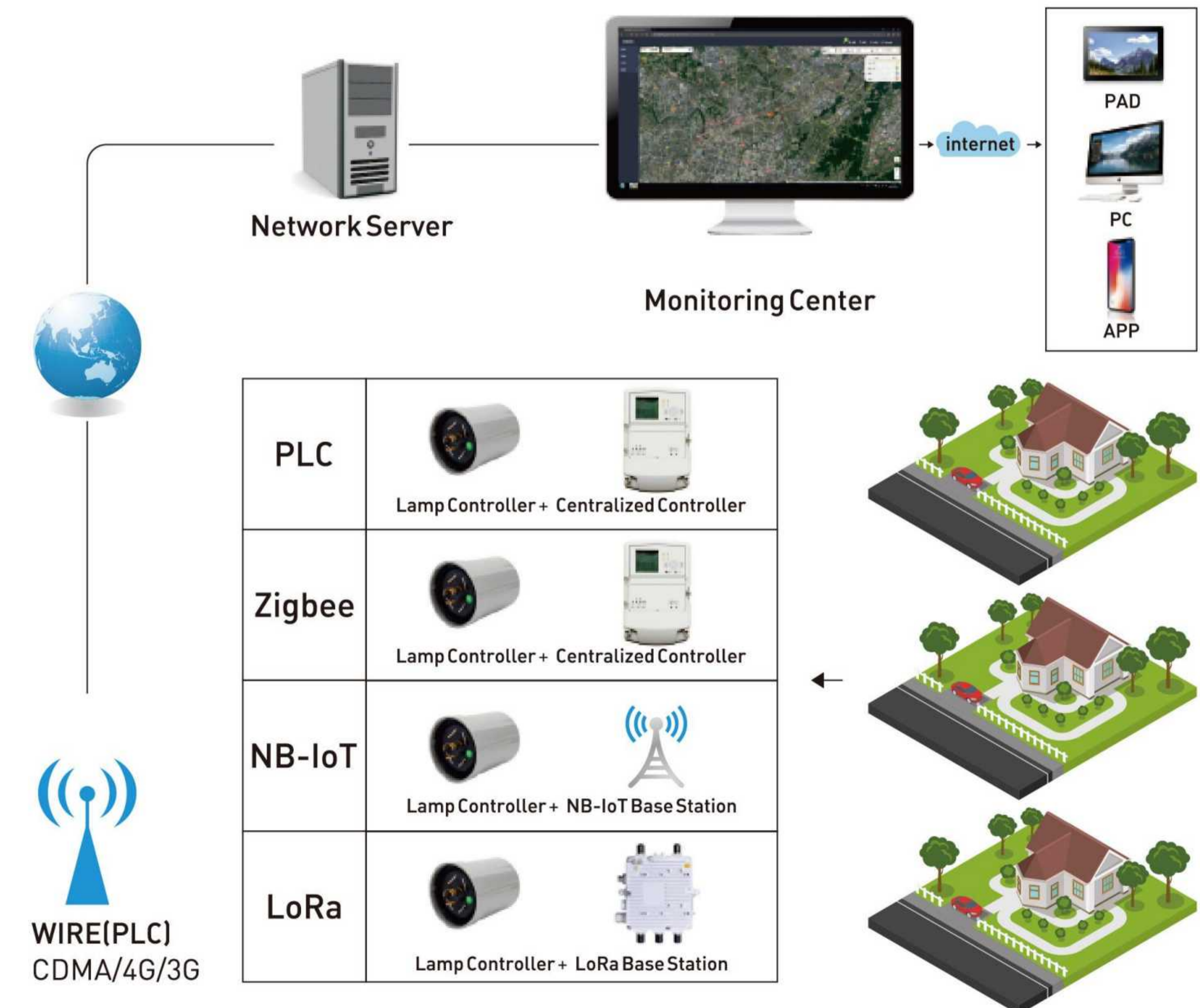
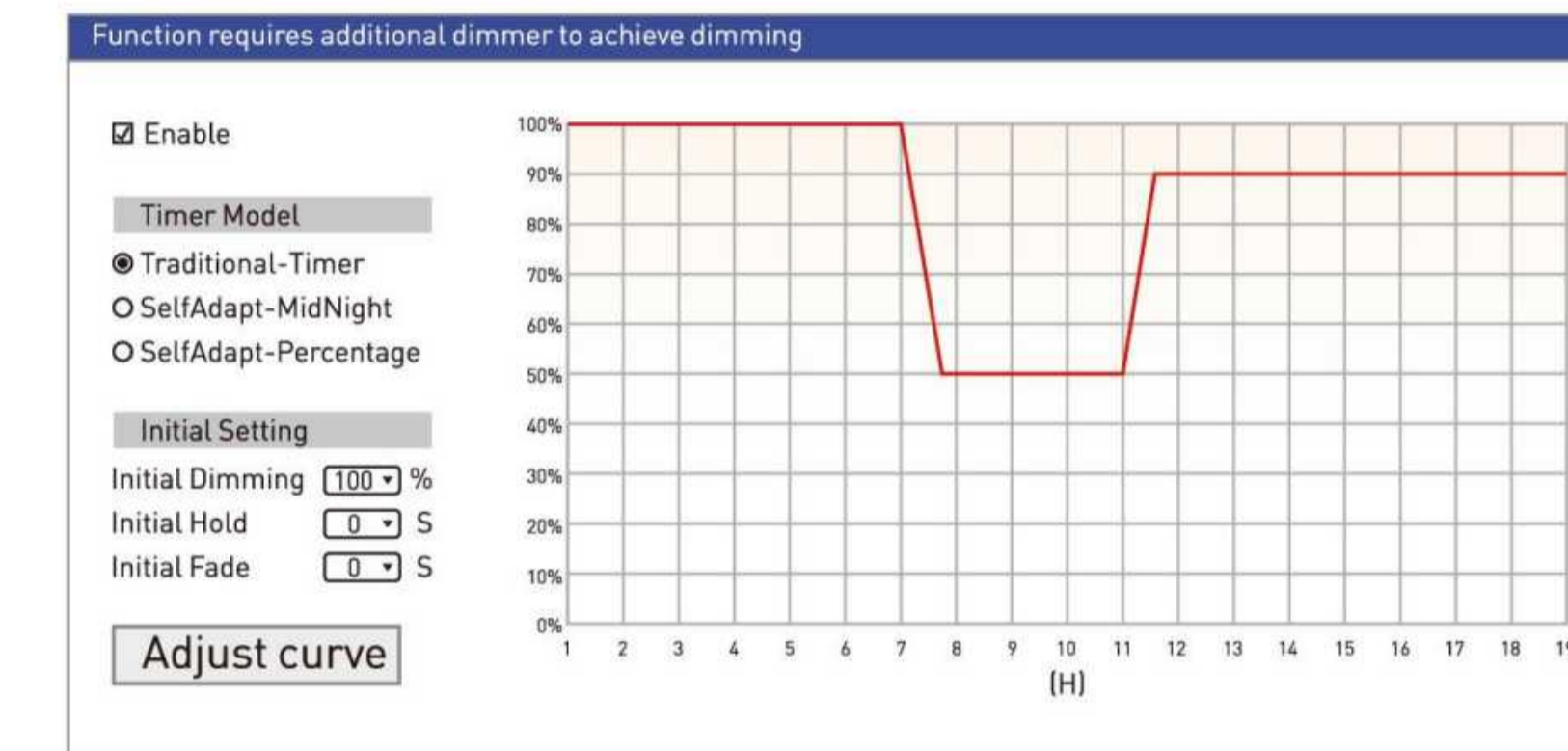


Dimming

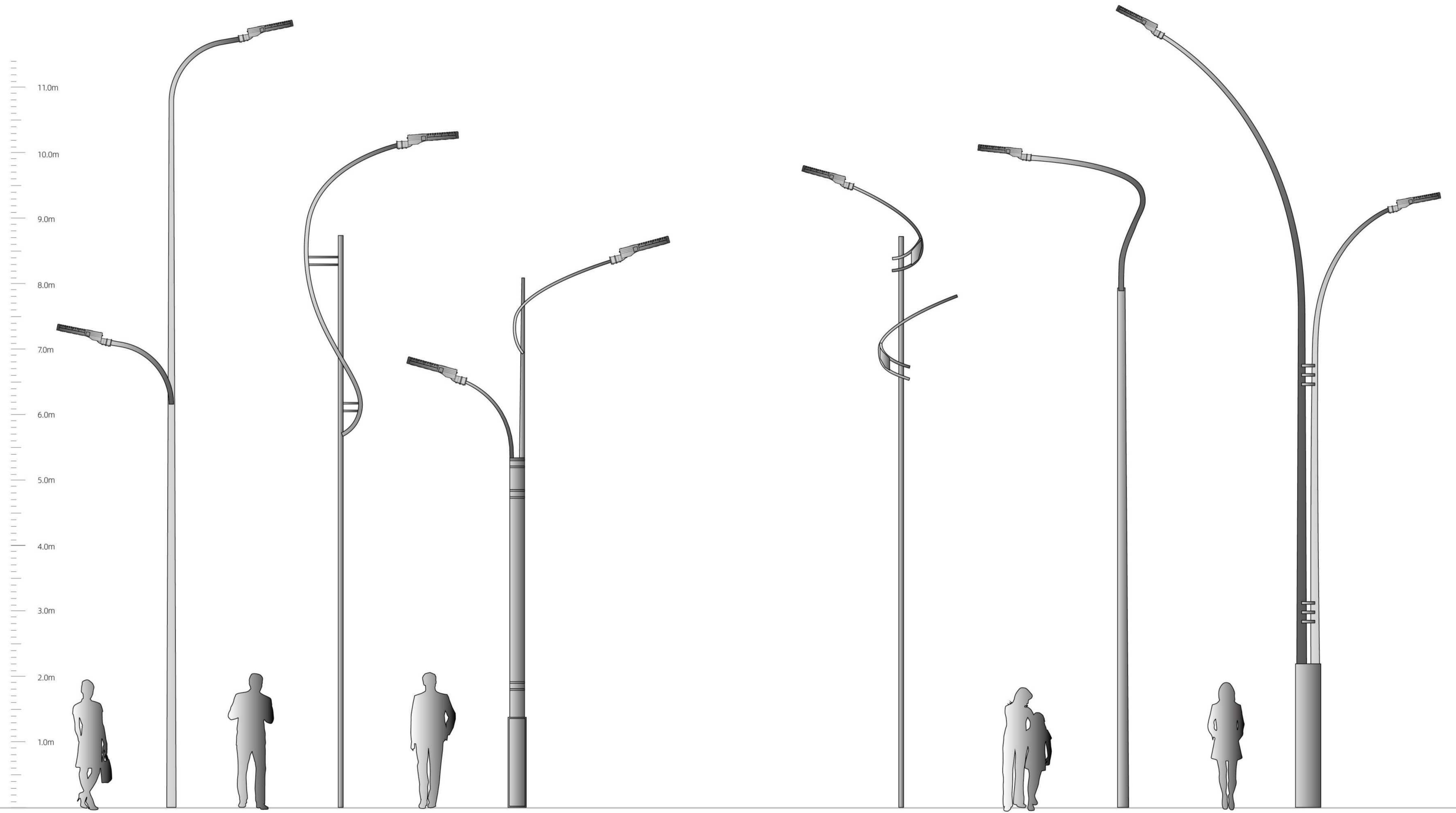
There are two dimming modes available:

- 0-5V/0-10V > Need additional dimmer to achieve dimming
- PWM
- Timer — Programmable driver has timing dimming function.

By setting a suitable time to offer the required brightness and exposure time to meet different lighting needs can save a lot of energy. There are five dimming levels. Please click on Adjust curve in the below picture.

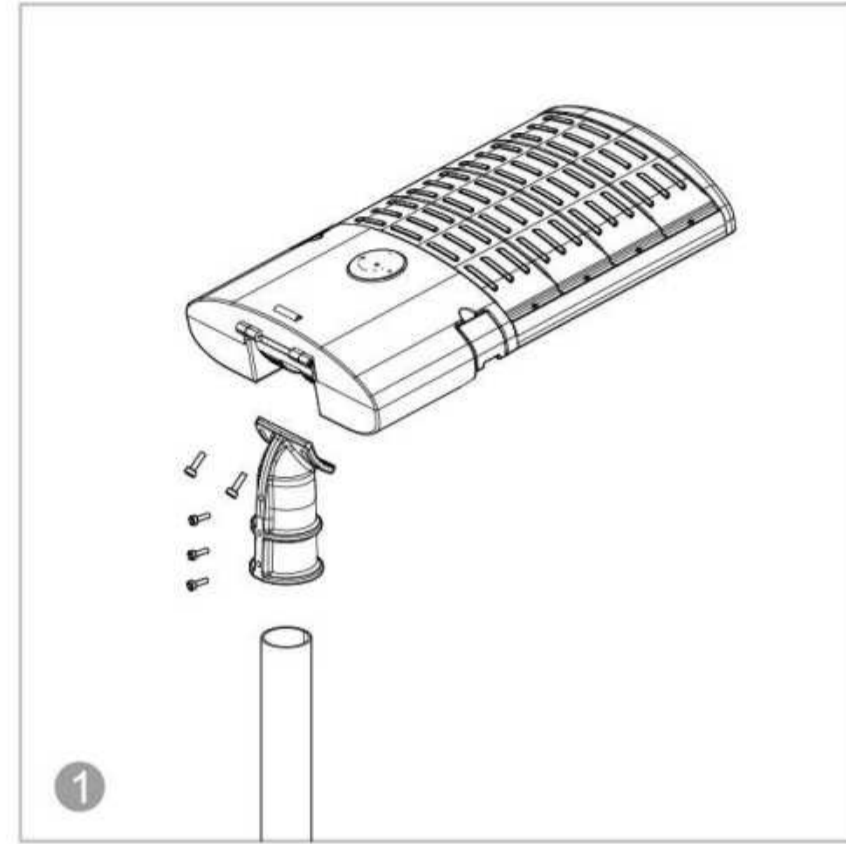


Pole display

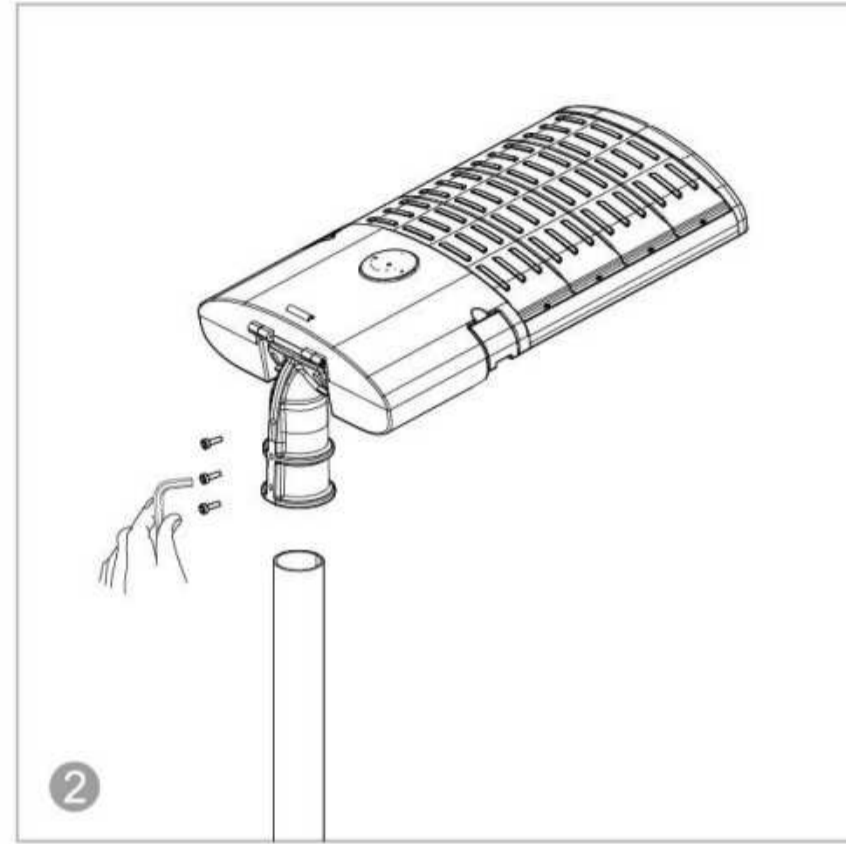


Installation instructions

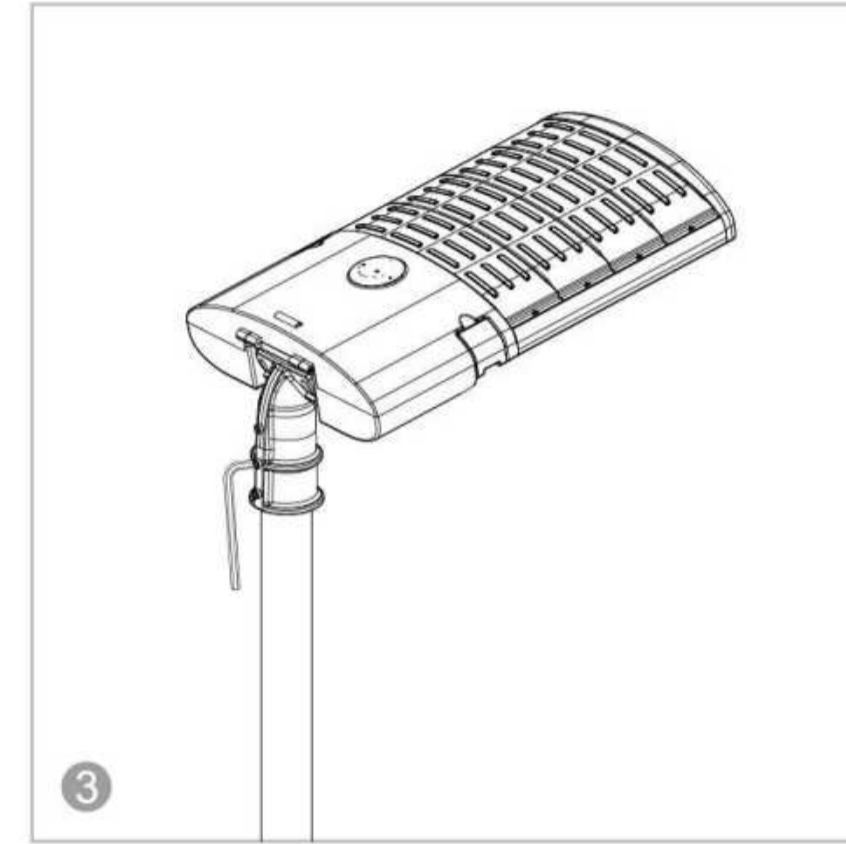
Steps for Vertical Installation



Align the sleeve fixing hole with the screw hole, and fix the sleeve with the hexagon bolt and flat washer with a hexagon wrench.

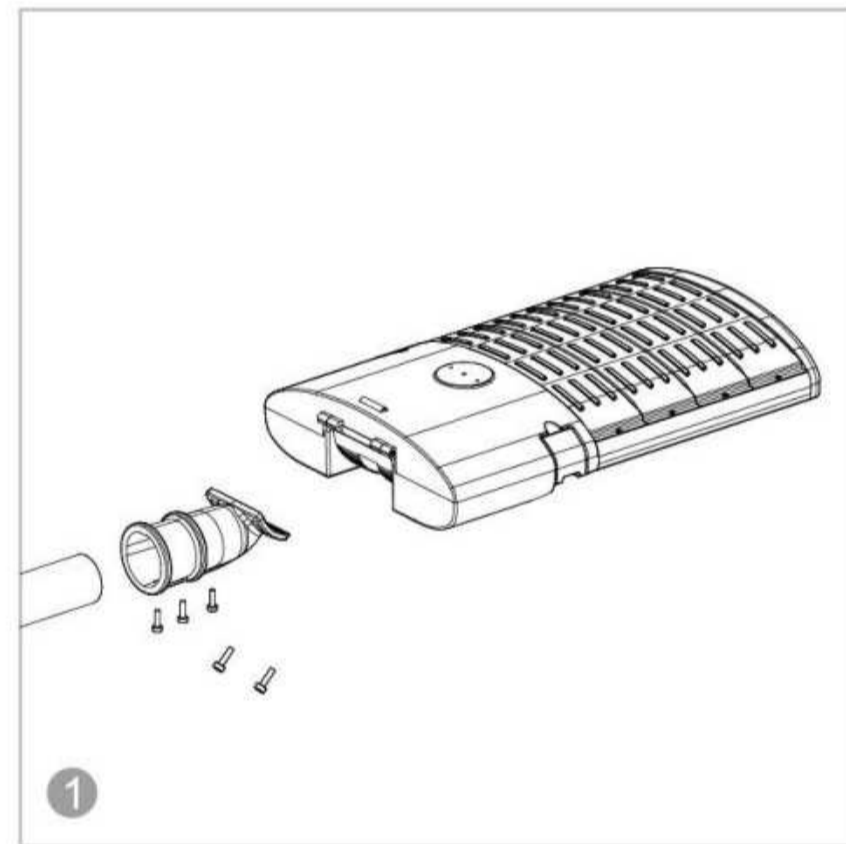


Align the lamp with the lamp pole and insert it, and fix it with hexagon wrench and hexagon socket bolt.

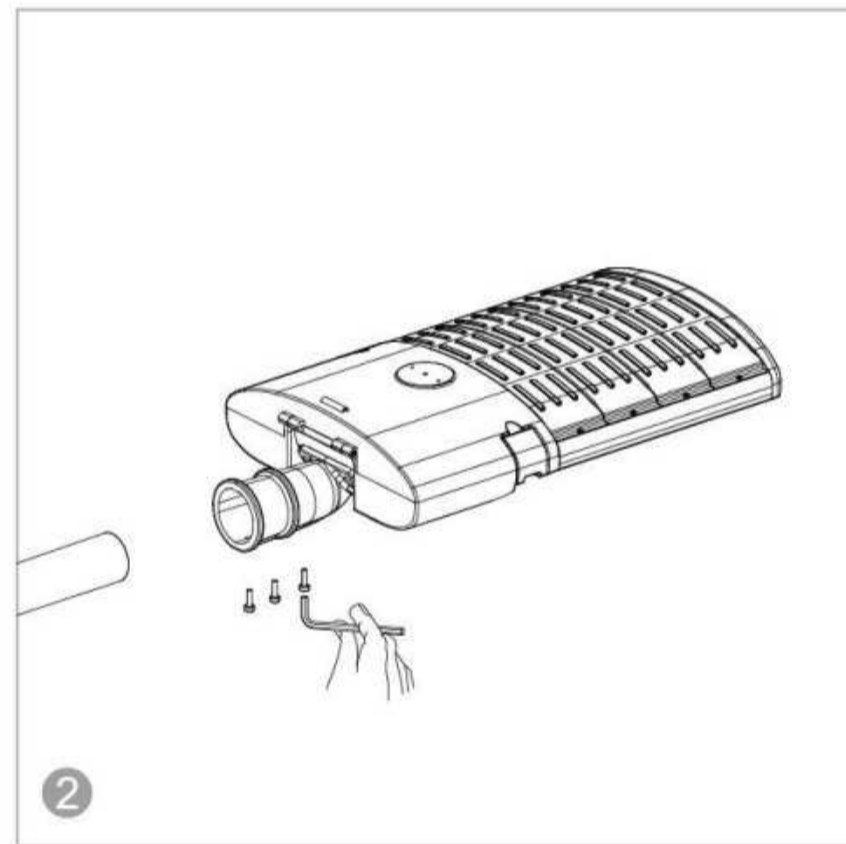


The effect of lamps after installation.

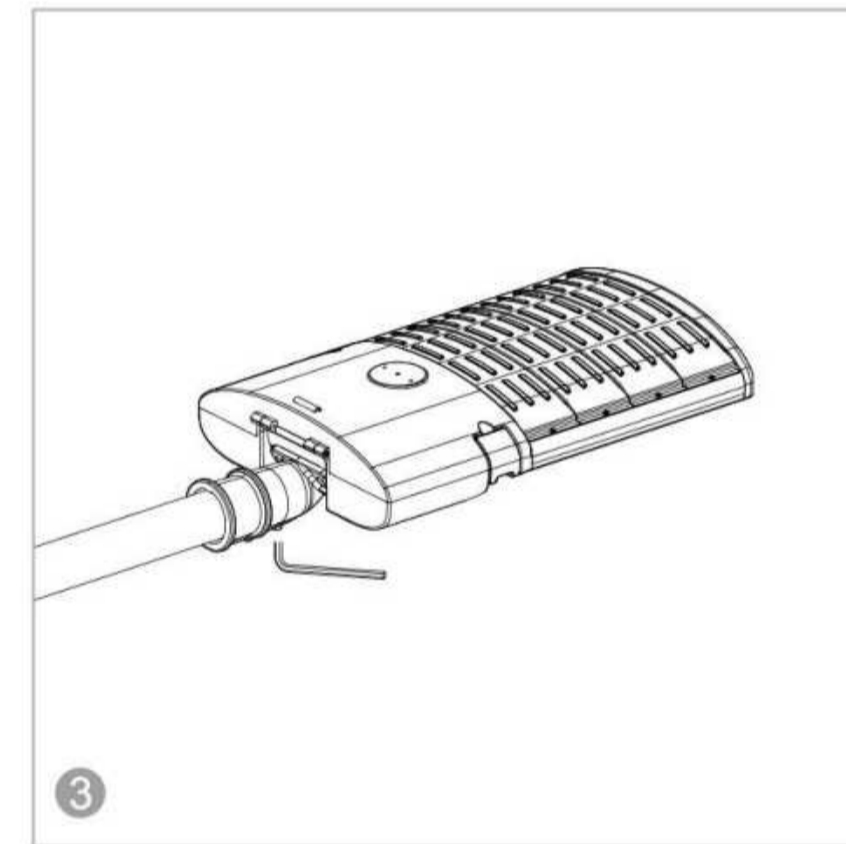
Steps for Horizontal Installation



Align the sleeve fixing hole with the screw hole, and fix the sleeve with the hexagon bolt and flat washer with a hexagon wrench.



Align the lamp with the lamp pole and insert it, and fix it with hexagon wrench and hexagon socket bolt.



The effect of lamps after installation.

Precautions:

1. The working voltage of this model of lamp is based on the product specification and reference to the product label;
2. All wiring must comply with national installation standards, and all joints must be properly connected and waterproof treated;
3. Lamp maintenance or replacement requires qualified personnel to replace to avoid danger;
4. The controller modulation should be operated according to the instructions.



