



**Capricornus**  
City circuit light series

POWER 60W/120W/200W

EMBODIMENT OF INDUSTRIAL AESTHETICS

# Capricornus

## THE PERFECT COMBINATION OF PRACTICAL TECHNOLOGY AND OPTICAL ART

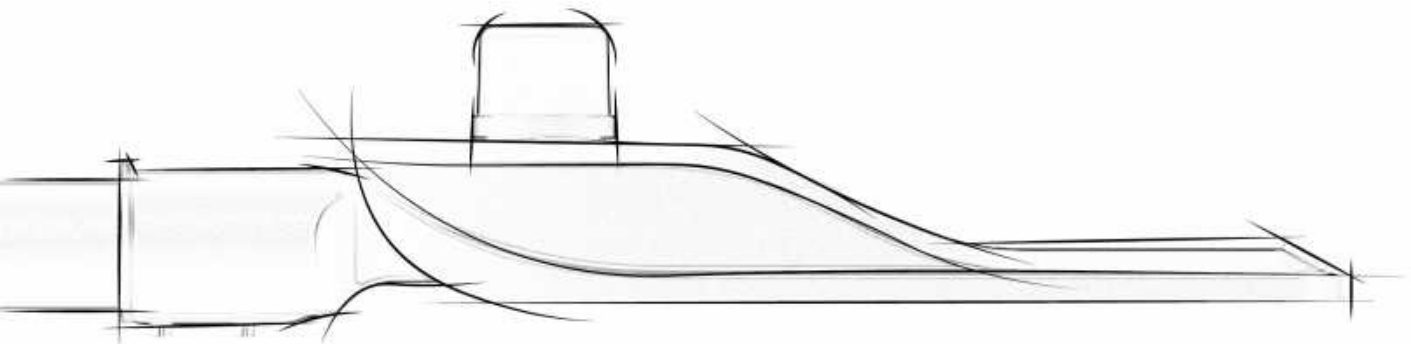


Modular combination, avant-garde, sustainability, and future performance: This is the innovative concept of lighting fixtures.

In fact, the team of designers and R&D personnel collaborated to create a high-performance product that perfectly combines practical technology with optical art, and perfectly showcases optical art.

Capricorn is an innovative combination lighting fixture suitable for outdoor building lighting. Optical accessories+modular combination integrated light.

Capricorn is equipped with bat wing lens optical accessories, and the modular lamp body ensures heat dissipation and light transmittance, making it easy to replace lens modules. Create a system for modern smart cities.



### STRUCTURAL THEME

The main body of the lamp is made of die-cast aluminum.

### OPTICS

The light source adopts bat wing lens optical accessories.

### INNOVATIVE ASSEMBLY METHODS

Adjustable sleeve angle: horizontal or vertical installation.

### EFFICIENT HEAT SINK

Excellent thermal conductivity and large heat exchange area.



## Application Scenario

Streets, paths, and bike lanes

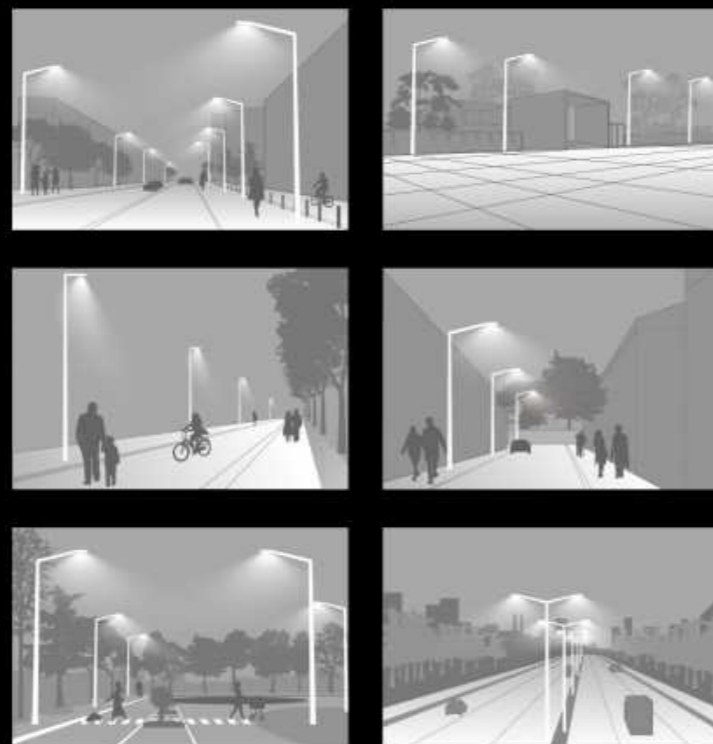
Residential Street

Shared area, commercial

Urban streets

Rural roads, urban roads

Freeways and circular roads





## Capricornus City circuit light series

### Technical norm

#### General highlights

Used for any outdoor lighting places such as roads, squares, scenic spots, etc  
 Working temperature: -30 ° C/+50 ° C  
 Adopting buckle design for easy installation and maintenance  
 Using high-quality chips  
 Less light decay, long-lasting and durable  
 The sleeve adopts a clamping design  
 Lamp poles with different calibers  
 Excellent heat dissipation

#### Shell and Finish

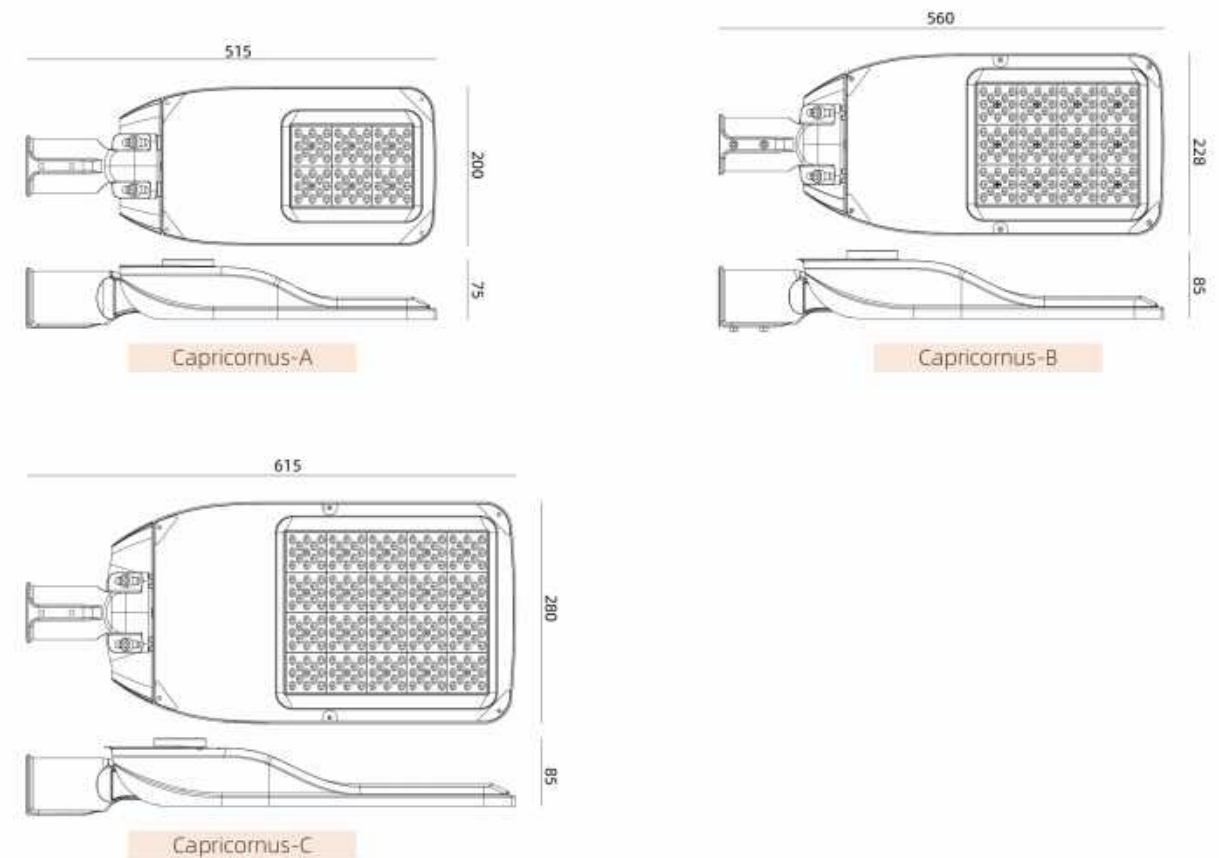
Corrosion resistant die cast aluminum casing  
 Electrostatic powder coating  
 Protection level: IP66  
 Impact protection: IK09

#### Optical properties

Different lens arrangements in different areas and installation areas  
 Uniform light distribution  
 Modular design of light source for easy replacement  
 Lumen output (absolute metering): 10800lm-36000lm  
 Color temperature: 2200K-6500K  
 Color rendering index:>70

Technical Parameter			
Model	Capricornus-A	Capricornus-B	Capricornus-C
Power	60W	120W	200W
INPUT VOLTAGE	AC100-277V		
Frequency range	50Hz/60Hz		
Power factor	> 0.95		
Whole lighting effect	180lm/W		
LED lifespan	50000H		
Rendering Index	CRI70		
Color temperature	2200K-6500K		
IP	IP66		
IK	IK09		
Operation temperature	-30~+50°C		
Storage temperature	-20°C~60°C,10%~90% RH		
Lens Material	PC Lens		
Installation height	6-8m	8-10m	10-12m

### Size (mm)



Detail display

The casing is made of corrosion-resistant die-cast aluminum (ADC12), With corrosion-resistant powder coating.

Tempered Safety Glass (ESG)

High strength imported PC optical lens, Bat wing light distribution. Easy to replace lens.

Adjustable sleeve angle, There are two installation methods available

 100-277V	CRI 70
 10-90%RH	PF >0.95
CCT 4000K-6500K	 50000H
 50-60Hz	 -30°C 50°C
 IP66	 IK09

If necessary, various sensors/light management systems can be equipped at this position of the lamp to achieve functions such as photo-electric timing, dimming, remote management, and fault alarm.

• Integrated gland design





A hexagonal wrench can quickly and safely tighten screws and complete installation.



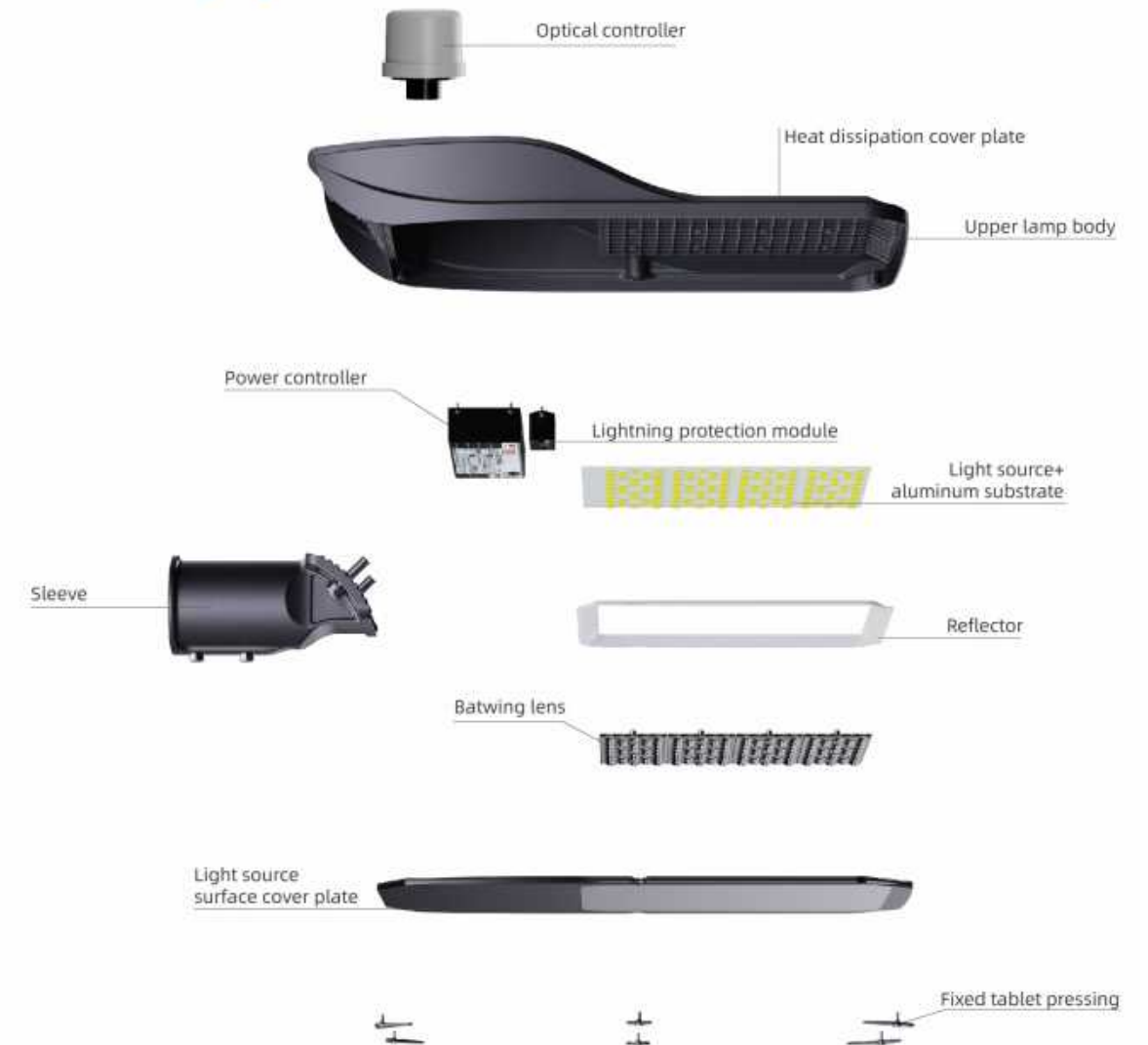
The plug and play design concept allows for simple and safe installation: the factory has installed an 8m connecting cable, which can be installed without opening the lighting fixture. Longer cables can be provided according to requirements.



Installation of one lamp and two lamps:  
For horizontal and vertical installation, suitable installation methods can be selected based on different lighting requirements.

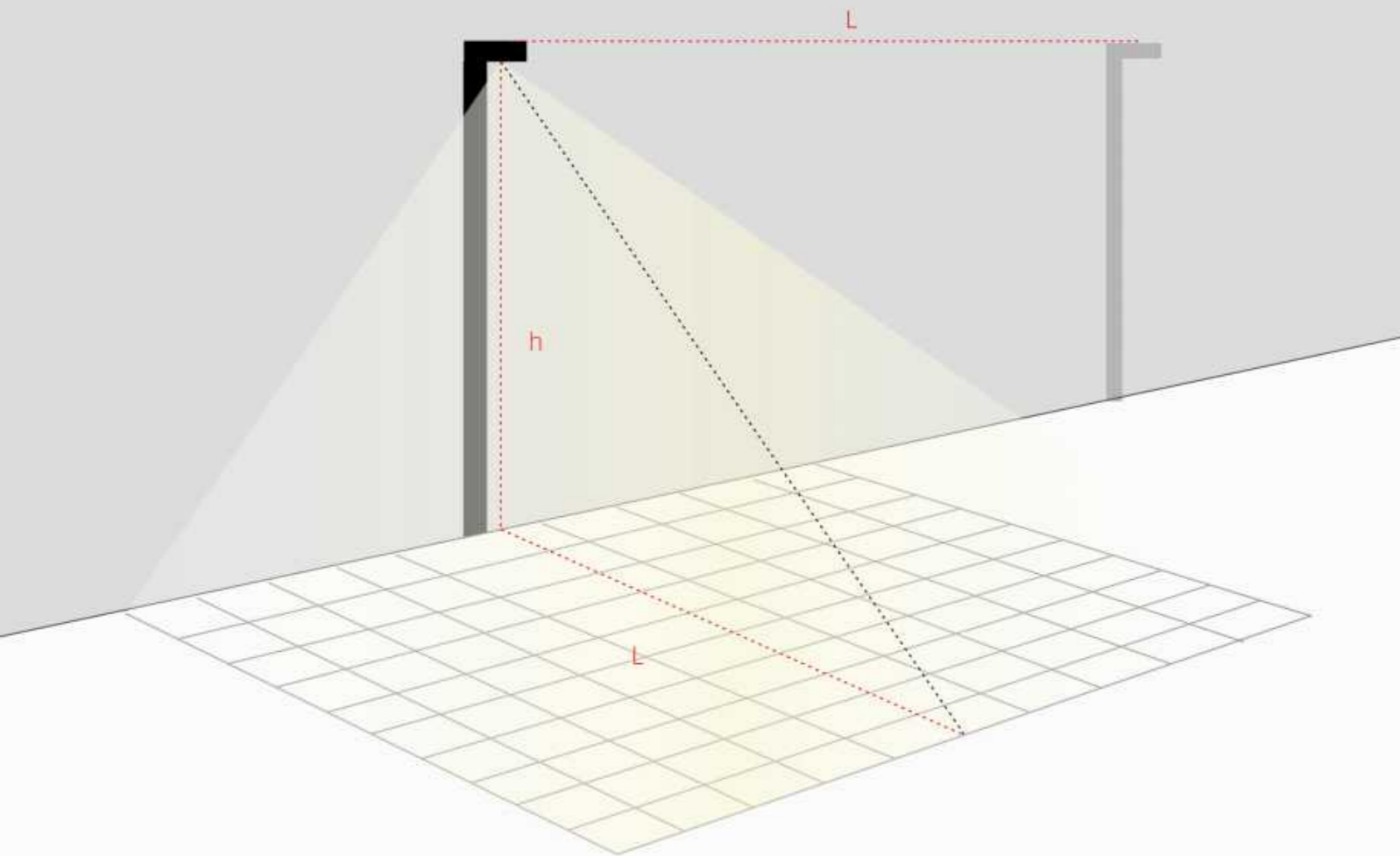


### Structure display



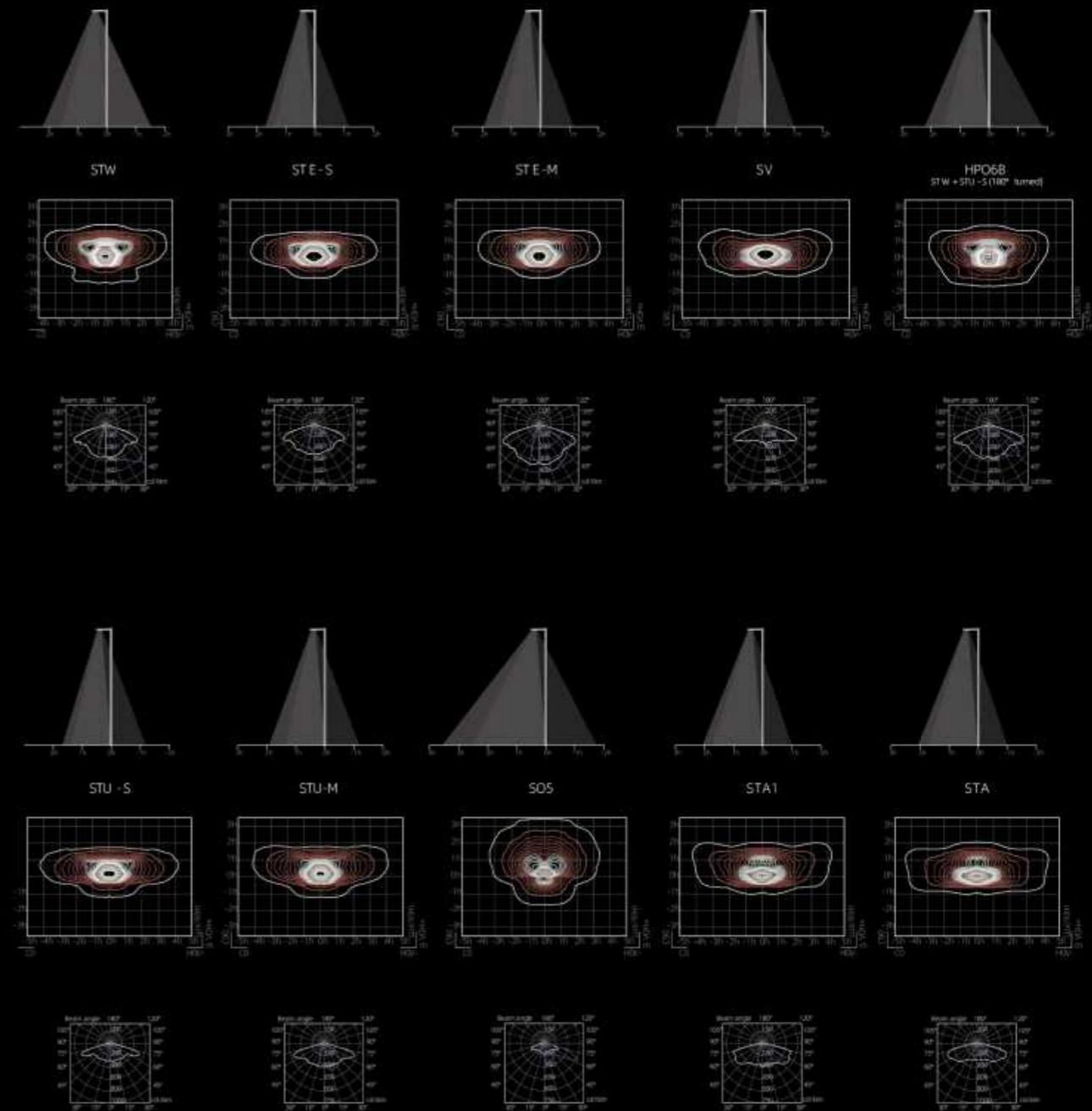
- ⊗ The classic integrated heat dissipation hole design increases heat dissipation efficiency, making the lamp efficient in heat dissipation.
- ⊗ There are various optical components to choose from.
- ⊗ Independent power drive for easy maintenance.
- ⊗ Two installation methods: horizontal installation, vertical installation, and adjustable support angle.
- ⊗ The lightning protection module can protect electrical equipment from damage caused by lightning overvoltage, operating overvoltage, and power frequency transient overvoltage.
- ⊗ The optical controller can be optionally installed to facilitate optical control and other intelligent controls.

## Light distribution display

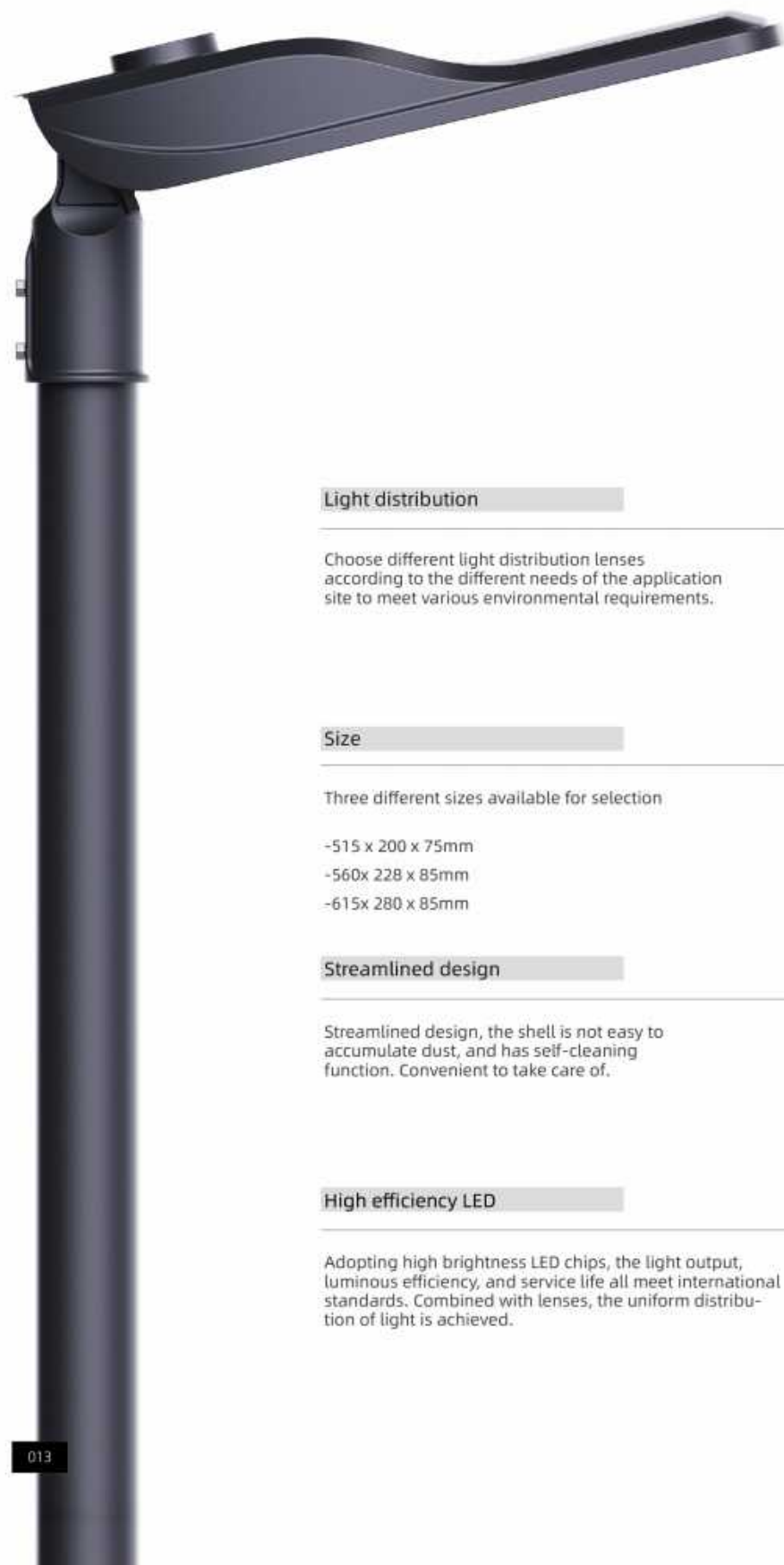


D=distance to height ratio (L/h)  
 H=pole height  
 l=distance between lamp poles  
 L=Lighting area width

The latest patented light source technology, through the lens special structure to achieve the light source to form a bat wing shape, to achieve the best uniform illumination, improve the lighting effect.



## Detail highlights



### Light distribution

Choose different light distribution lenses according to the different needs of the application site to meet various environmental requirements.



### Size

Three different sizes available for selection

- 515 x 200 x 75mm
- 560x 228 x 85mm
- 615x 280 x 85mm



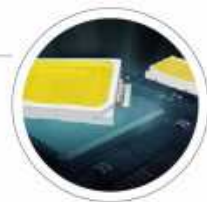
### Streamlined design

Streamlined design, the shell is not easy to accumulate dust, and has self-cleaning function. Convenient to take care of.



### High efficiency LED

Adopting high brightness LED chips, the light output, luminous efficiency, and service life all meet international standards. Combined with lenses, the uniform distribution of light is achieved.



## Intelligent controller design

Wireless control technologies such as Zigbee, NB, 4G, and Wifimesh can be used in conjunction with smart control cloud platforms.

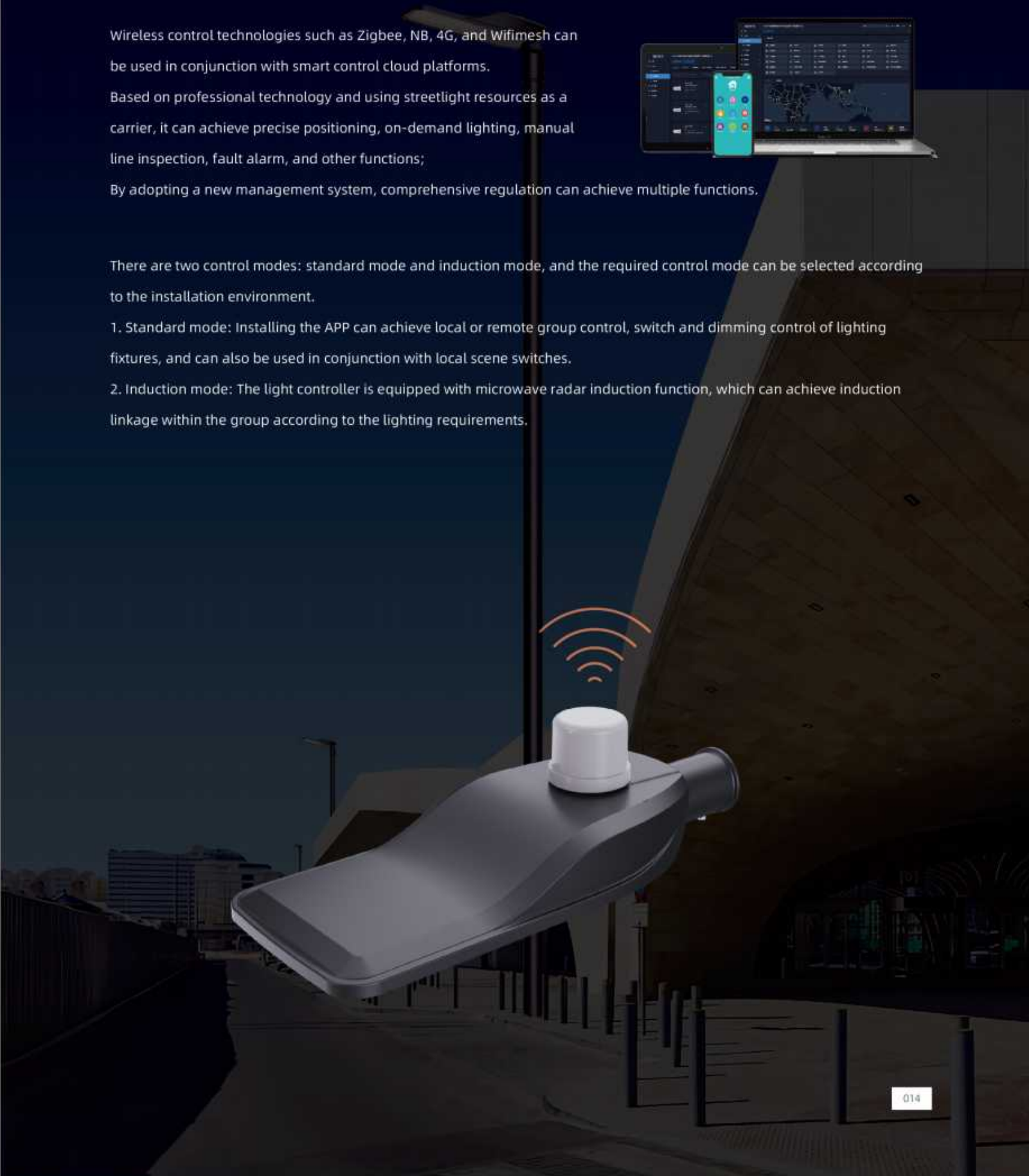
Based on professional technology and using streetlight resources as a carrier, it can achieve precise positioning, on-demand lighting, manual line inspection, fault alarm, and other functions;

By adopting a new management system, comprehensive regulation can achieve multiple functions.



There are two control modes: standard mode and induction mode, and the required control mode can be selected according to the installation environment.

1. Standard mode: Installing the APP can achieve local or remote group control, switch and dimming control of lighting fixtures, and can also be used in conjunction with local scene switches.
2. Induction mode: The light controller is equipped with microwave radar induction function, which can achieve induction linkage within the group according to the lighting requirements.





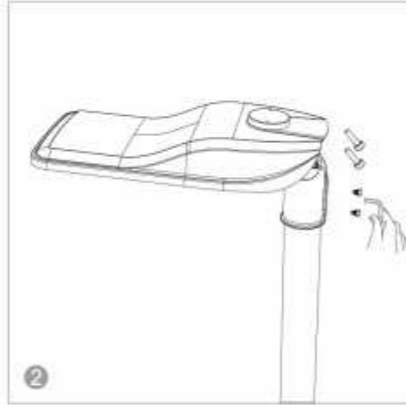


## Installation instructions

### Steps for Vertical Installation



1. Align the sleeve fixing hole with the screw hole, and fix the sleeve with the hexagon bolt and flat washer with a hexagon wrench.



2. Align the lamp with the lamp pole and insert it, and fix it with hexagon wrench and hexagon socket bolt.

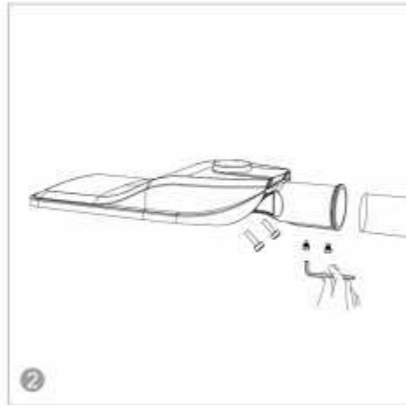


3. The effect of lamps after installation.

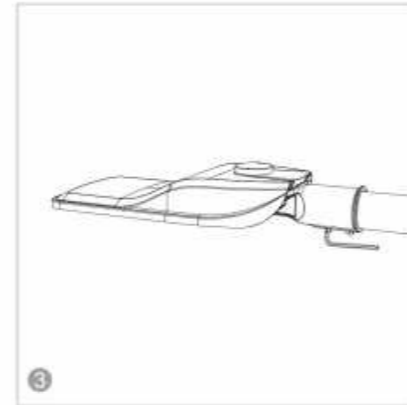
### Steps for Horizontal Installation



1. Align the sleeve fixing hole with the screw hole, and fix the sleeve with the hexagon bolt and flat washer with a hexagon wrench.



2. Align the lamp with the lamp pole and insert it, and fix it with hexagon wrench and hexagon socket bolt.



3. The effect of lamps after installation.

### Precautions:

1. The working voltage of this model of lamp is based on the product specification and reference to the product label;
2. All wiring must comply with national installation standards, and all joints must be properly connected and waterproof treated;
3. Lamp maintenance or replacement requires qualified personnel to replace to avoid danger;
4. The controller modulation should be operated according to the instructions.

## Packaging display

