

LED GARDEN LIGHT

2022

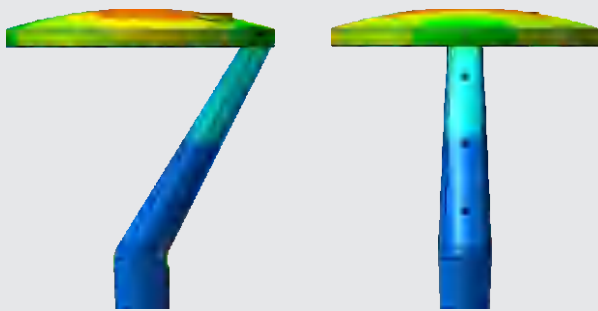


OVERVIEW

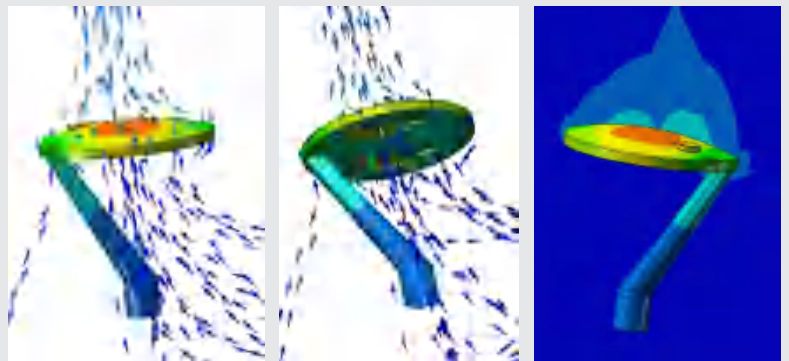


THERMAL MANAGEMENT

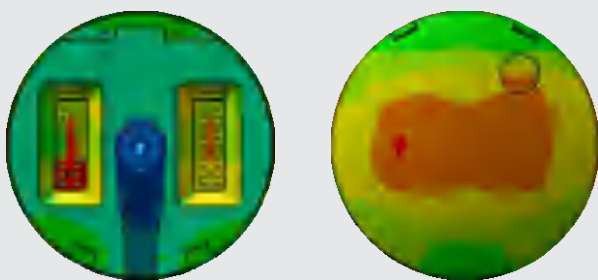
Structure is optimized by advanced FEA technology. Achieving longer lifespan at best cost-efficiency.



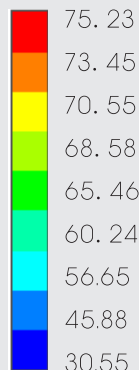
Temperature Rise Curve



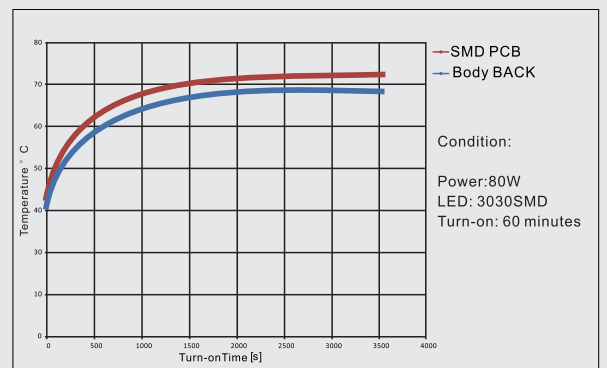
Thermal Air Convection Thermal Air Convection Thermal Effects to Air



Temperature Rise Curve



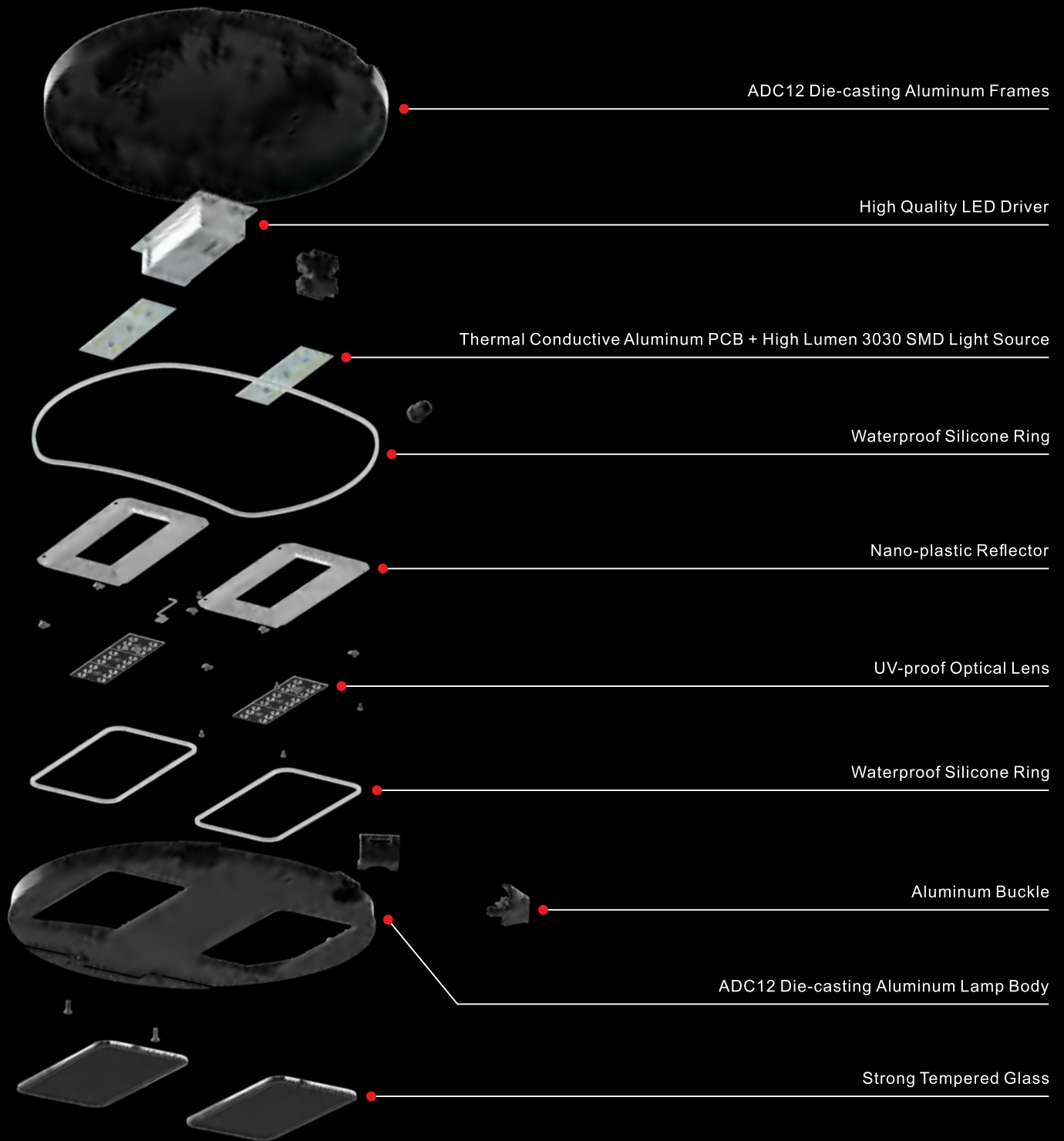
Unit: °C



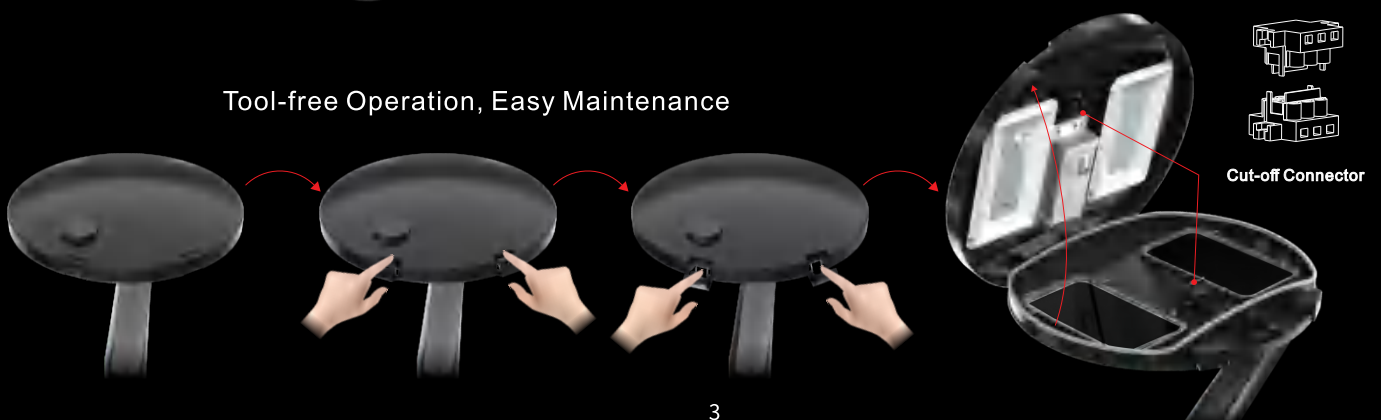
Temperature Rise Curve

Condition:
Power: 80W
LED: 3030SMD
Turn-on: 60 minutes

EXPLODED



Tool-free Operation, Easy Maintenance



APPLICATIONS

Asymmetrical optics for street lighting (urban).

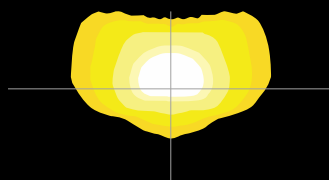
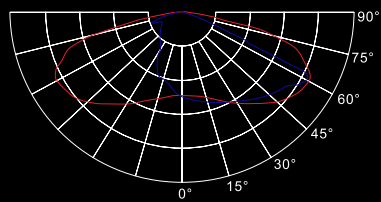
Asymmetrical optics for narrow urban streets or highway entrance/exit turns.



OPTICS

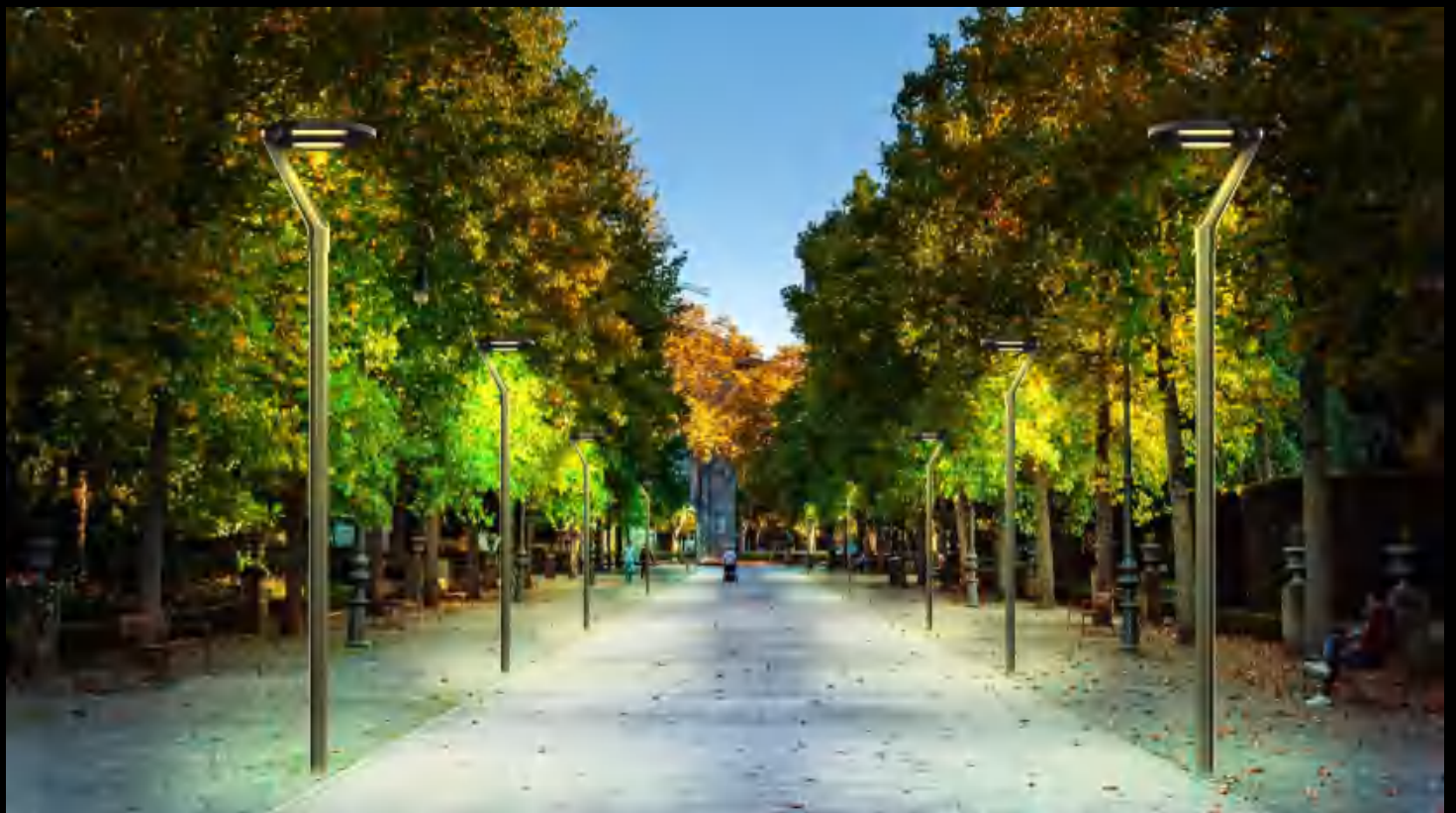
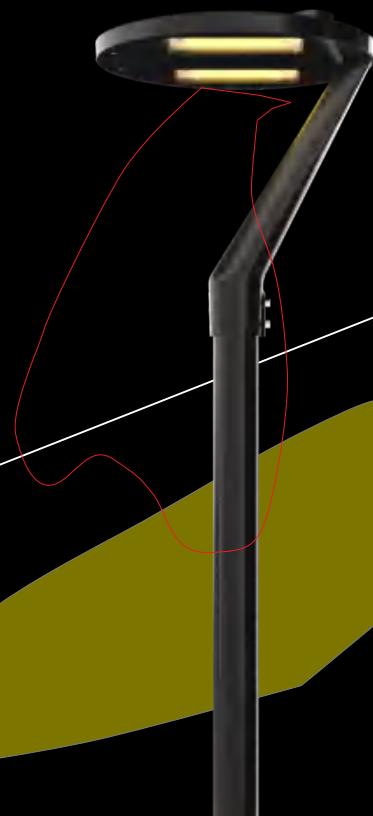
Tech. Support: Tell us the room length, width, height and the usage.

We have an engineer team to respond the DIALUX simulations for lights quantity calculation and effects. ies files are available upon request.



75*150

Asymmetric
Optics



MODEL



YC-AL 17(Side arm)



YC-AL 17(Double arm)



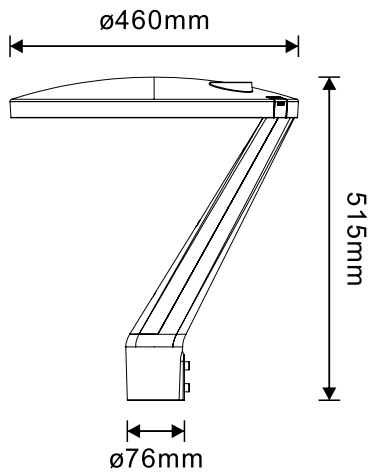
YC-AL 17(Middle arm)

SPECIFICATIONS

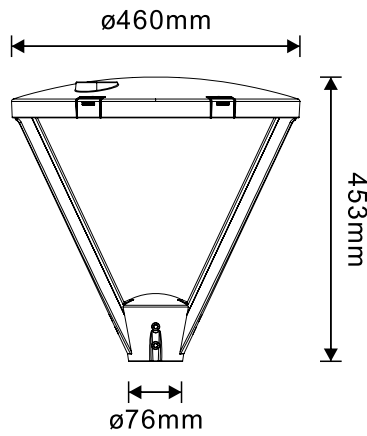
| Model No. | YC-AL 17(Side arm) | YC-BL 01(Double arm) | YC-BL 01(Middle arm) |
|------------------|--------------------|----------------------|----------------------|
| Power | 50W-80W | 50W-80W | 50W-80W |
| Lamp Size(mm) | ø460*H515 | ø460*H453 | ø460*H194 |
| Arm Size(mm) | 75 | 75 | 60 |
| Light Source | 3030SMD | 3030SMD | 3030SMD |
| Waterproof Level | IP65 | IP65 | IP65 |
| Carton(mm) | 545*545*120 | 545*545*120 | 545*545*130 |
| Qty/CTN | 1 | 1 | 1 |
| N.W.(kg) | 5.4 | 5.7 | 4.8 |
| G.W.(kg) | 6.4 | 6.8 | 6 |

DIAGRAM

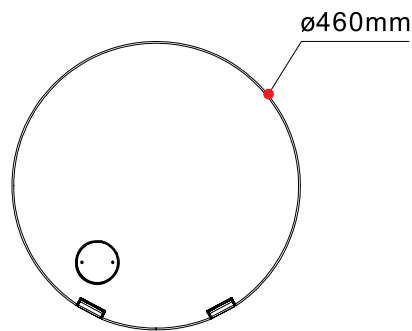
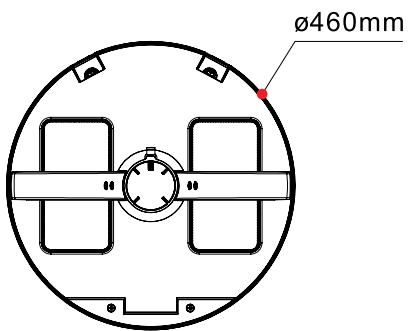
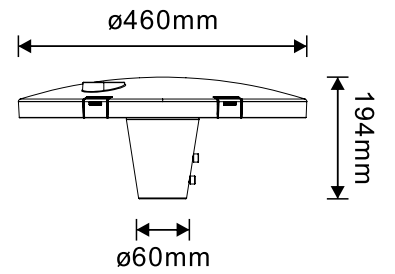
YC -AL 17(Side arm)



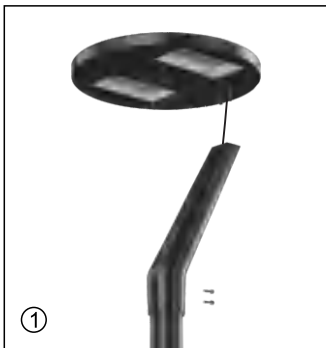
YC -AL 17(Double arm)



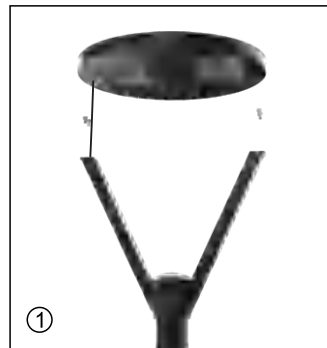
YC -AL 17(Middle arm)



INSTALLATION STEPS



YC-AL 17(Side arm)

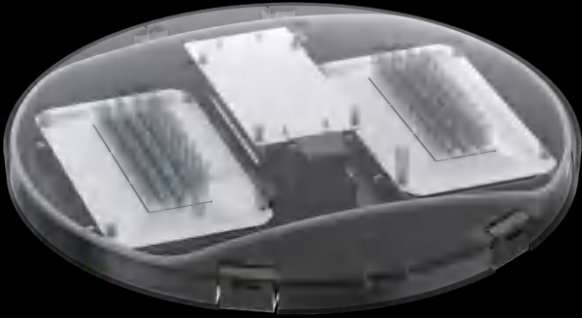


YC-AL 17(Double arm)



YC-AL 17(Middle arm)





Features

1. ADC12 Diecasting aluminum body.
2. Three different lamp arms are available.
3. Compatible with 3030 SMD.
4. Asymmetric optics.
5. IP65 Waterproof for outdoor use.
6. Tool-free Operation, Easy Maintenance.

PACKAGING:

