

| | | | | | |
|------|----------|------|------------|---------|-------|
| Date | 2024-6-8 | No. | | Version | A/1 |
| Dept | R&D | Name | 一体路灯长剑二代系列 | Page | 1 / 7 |

Product Specification

Product Name : Integrated Solar Street Light

Product Item : ZQ-CJYX02-* * *



Zhongshan Zhongqian Intelligent Electrical Technology Co.,Ltd

Add: Building 10, Baode Industrial park, No.268 DongFu 3rd road, Dongfeng Town, Zhongshan city, Guangdong Province (Post: 528425)

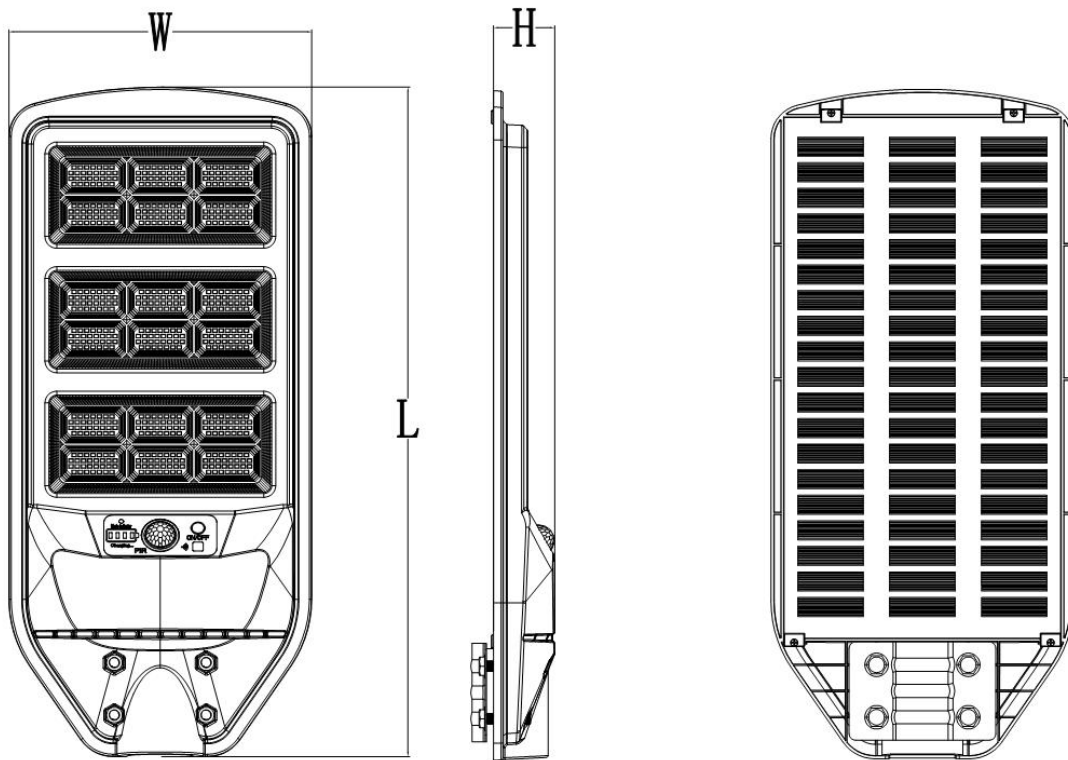
TEL: 0760-22776393

Fax:0760-22776393-643

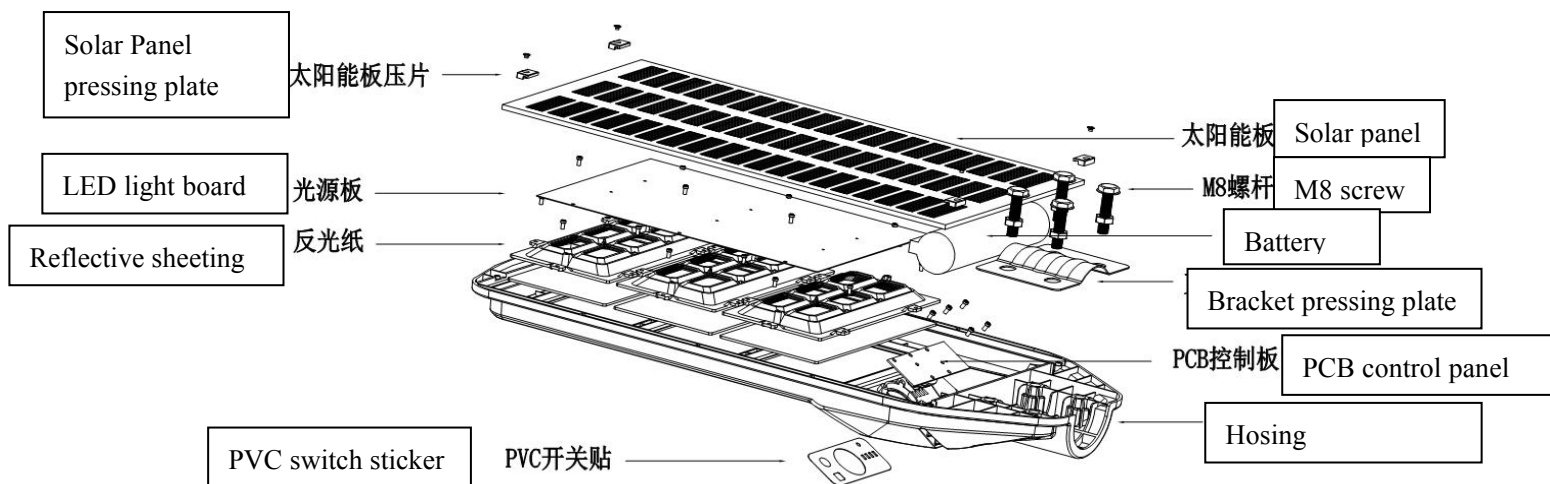
Website : <https://zhongqianzled.1688.com>

| | | | | | |
|------|----------|------|------------|---------|-------|
| Date | 2024-6-8 | No. | | Version | A/1 |
| Dept | R&D | Name | 一体路灯长剑二代系列 | Page | 2 / 7 |

Product structure drawing



Product explosion diagram



Zhongshan Zhongqian Intelligent Electrical Technology Co.,Ltd
 Add: Building 10, Baode Industrial park, No.268 DongFu 3rd road, Dongfeng Town, Zhongshan city, Guangdong Province (Post: 528425)

TEL: 0760-22776393

Fax:0760-22776393-643

Website : <https://zhongqianzxled.1688.com>

| | | | | | |
|------|----------|------|------------|---------|-------|
| Date | 2024-6-8 | No. | | Version | A/1 |
| Dept | R&D | Name | 一体路灯长剑二代系列 | Page | 3 / 7 |

Product Model

| Item | Parameter | | | | | | | | |
|----------------------------------|--|--------------------------|--------------------------|--------------------------|--------------------------|--------------------------|--------------------------|--------------------------|--------------------------|
| | ZQ-CJYX 02-040W -1 | ZQ-CJYX 02-040W -2 | ZQ-CJYX 02-080W -2 | ZQ-CJYX 02-080W -3 | ZQ-CJYX 02-120W -3 | ZQ-CJYX 02-120W -4 | ZQ-CJYX 02-150W -4 | ZQ-CJYX 02-150W -5 | ZQ-CJYX 02-180W -5 |
| Battery:LiFe PO4 | 3.2V 4AH | 3.2V 4AH | 3.2V 8AH | 3.2V 8AH | 3.2V 12AH | 3.2V 12AH | 3.2V 15AH | 3.2V 15AH | 3.2V 18AH |
| Lumen(max) LM | 600LM | 600LM | 1200LM | 1300LM | 1800LM | 1900LM | 2250LM | 2350LM | 2700LM |
| Solar panel power | 6W | 8W | | 12W | | 15W | | 20W | |
| LEDs | SMD2835 -132PCS | SMD2835-264PCS | | SMD2835-396PCS | | SMD2835-528PCS | | SMD2835-660PCS | |
| Lamp body Size(W*L*H)mm | 219*216 *45mm | 413*231*47mm | | 511*231*47mm | | 622*251*47mm | | 722*251*47mm | |
| Solar Panel Size(W*L*H)mm | 210*200 *4mm | 299*211*4mm | | 397*211*4mm | | 508*231*4mm | | 608*231*4mm | |
| Sensor Mode | PIR Sensor (Human Sensor) annotate and comment on 1 | | | | | | | | |
| Installation height | 3-6m | | | | | | | | |
| Maximum Sensing Distance | 12m@ Environment temperature 25°C | | | | | | | | |
| Sensing angle | 120° | | | | | | | | |
| Working time | 12-14H | | | | | | | | |
| Lighting Control | Charge during the day (>10lux) & light off, discharge at night (<5-10lux) & light on | | | | | | | | |
| Charging Time | Normal illumination 4-6hours (>40000lux) | | | | | | | | |
| Number of Charging Cycles | >1200 times | | | | | | | | |
| Material and Color | ABS, Black | | | | | | | | |
| IP rating | IP54 | | | | | | | | |
| Temperature and Humidity | Temperature: charge above 5°C, discharge above -10 °C Working humidity: 95% RH | | | | | | | | |

Note 1: Precautions for use of human body sensor

Zhongshan Zhongqian Intelligent Electrical Technology Co.,Ltd

Add: Building 10, Baode Industrial park, No.268 DongFu 3rd road, Dongfeng Town, Zhongshan city, Guangdong Province (Post: 528425)

TEL: 0760-22776393

Fax:0760-22776393-643

Website : <https://zhongqianzled.1688.com>

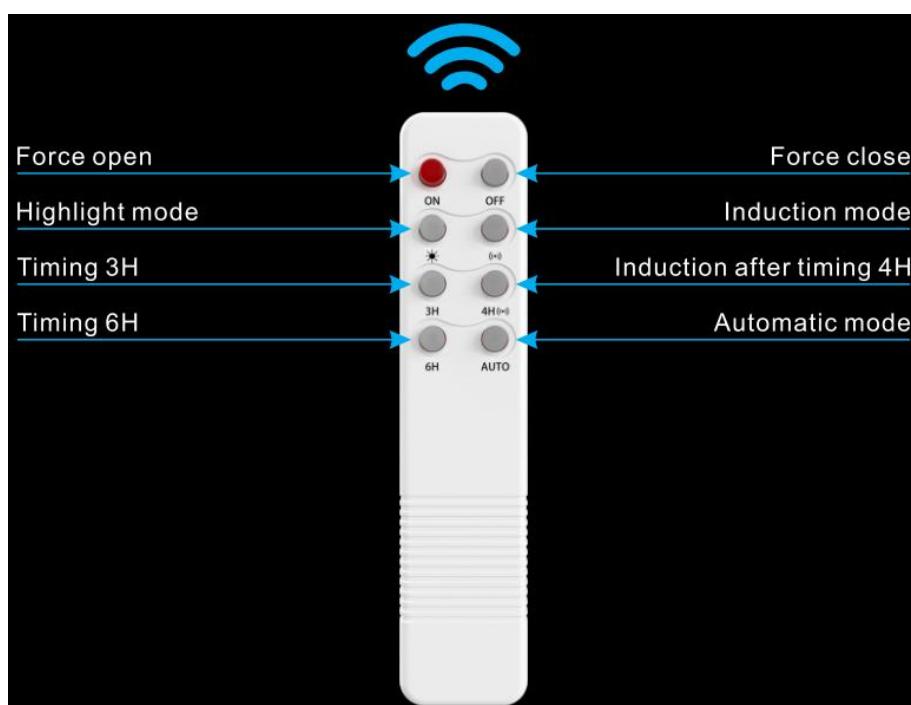
| | | | | | |
|------|----------|------|------------|---------|-------|
| Date | 2024-6-8 | No. | | Version | A/1 |
| Dept | R&D | Name | 一体路灯长剑二代系列 | Page | 4 / 7 |

1) 、 The best working environment for human infrared sensing is 25 °C, the sensing sensitivity and sensing distance is the best; when the difference between the human body temperature and the ambient temperature is very small, the sensitivity of human infrared sensing lamps will be reduced, the sensing distance becomes shorter, which is a normal phenomenon.

2) 、 Human infrared sensing cannot be blocked by something, and being blocked will cause the sensing to fail.

3) 、 Infrared detects body temperature, not speed or movement.

Product function



| Key | Function | Validity | Valid conditions | Detailed description |
|-------|----------------------------------|-----------------------|------------------|---|
| 【ON】 | On | Single/without memory | Day and night | 100% brightness and slowly decrease brightness, about 12-14 hours to light off. |
| | Permanent power off cancellation | Single/without memory | Day and night | When the light is off, press [ON] to cancel the permanent power off. |
| 【OFF】 | Off | Single/without memory | Day and night | Light off |

Zhongshan Zhongqian Intelligent Electrical Technology Co.,Ltd

Add: Building 10, Baode Industrial park, No.268 DongFu 3rd road, Dongfeng Town, Zhongshan city, Guangdong Province (Post: 528425)

TEL: 0760-22776393

Fax:0760-22776393-643

Website : <https://zhongqianzled.1688.com>

| | | | | | |
|------|----------|------|------------|---------|-------|
| Date | 2024-6-8 | No. | | Version | A/1 |
| Dept | R&D | Name | 一体路灯长剑二代系列 | Page | 5 / 7 |

| | | | | |
|--------|--|------------------------|---------------|---|
| | Permanent power off | Every day /with memory | Day and night | Keep press OFF key for 3seconds, the lamp will be OFF and still can be charged, but can not light ON unless press the "ON" key. |
| ☀ | High light | Single/without memory | Day and night | Press the key when the light is on, 165% brightness and not slowly decrease brightness. About 3 hours to light off. |
|))) | PIR Induction mode | Single/with memory | Night | PIR sensor mode, 5% brightness with nobody within sensing range, when someone pass by with 200% brightness. |
| 【3H】 | Time control 3 hours | Every day /with memory | Night | 115% brightness and not slowly decrease brightness, about 3 hours to light off. |
| 4H+))) | Timing control for 4 hours, then enter to PIR Induction mode | Every day /with memory | Night | 100% brightness and slowly decrease brightness. The lamp will enter to PIR induction mode after 4 hours, keep 5% brightness and nobody within sensing range. When someone pass by with 100% brightness. |
| 【6H】 | Time control 6 hours | Every day /with memory | Night | 100% brightness and slowly decrease brightness, about 6 hours to light off. |
| 【AUTO】 | Time control 12 hours | Every day /with memory | Night | 100% brightness and slowly decrease brightness, about 12-14 hours to light off. |

Note: 1. Human body induction delay: the control board has 20S, 30S optional, 20S is the default time;

2. Indicator light:

1) The red light is flashing, it is charging, the long light indicates that the current battery is fully charged, and the non-lighting indicates that it is not charging;

2) Green light off means: the current mode is time control mode;

Green light long on means: the current mode is infrared sensing mode;

Green light flashing means: the current mode is 4H+ infrared sensing mode.

3. Instructions for use:

1) After taking out the lamp body, press and hold the 2S button to turn it on. At this time, the default mode is: infrared induction mode.

2) Assemble the lamps according to the installation instructions.

3) Use the remote control to set the required working mode.

4) Charge the lamp first when using it for the first time. If the charging time is not long enough to turn on the light at night, it may affect the lighting time and brightness. When the charging is sufficient next time, the work will return to normal.

5) Autumn, winter, continuous cloudy or rainy days, the charging effect will be weakened, and the lighting time may be shortened, which is a normal phenomenon.

Installation instructions

1、Lamp Body Installation

Zhongshan Zhongqian Intelligent Electrical Technology Co.,Ltd

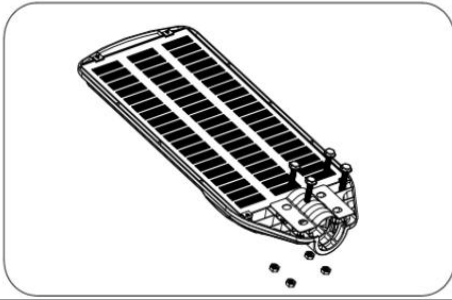
Add: Building 10, Baode Industrial park, No.268 DongFu 3rd road, Dongfeng Town, Zhongshan city, Guangdong Province (Post: 528425)

TEL: 0760-22776393

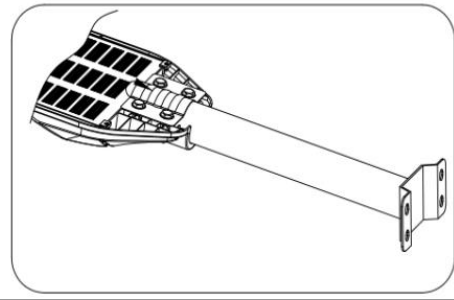
Fax:0760-22776393-643

Website : <https://zhongqianzled.1688.com>

| | | | | | |
|------|----------|------|------------|---------|-------|
| Date | 2024-6-8 | No. | | Version | A/1 |
| Dept | R&D | Name | 一体路灯长剑二代系列 | Page | 6 / 7 |

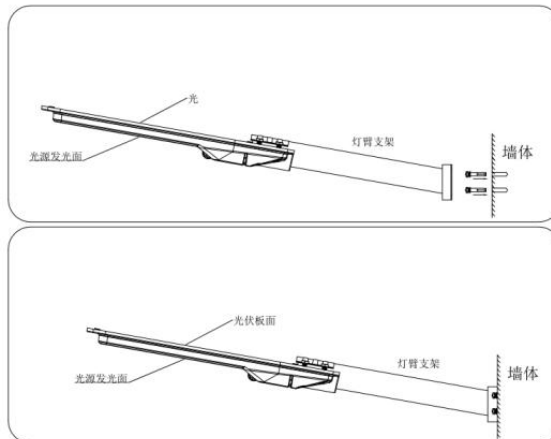


1、 Thread the fixing piece to the housing with a screw and nut.



2、 Bracket threaded onto housing (solar panel side up),screws and nuts hold the retaining tabs and brackets securely in place.

2、 Wall mounting



- 1、 Mark the mounting holes on the wall to be installed and drill the holes with an inflatable drill.
- 2、 Drive expansion screws into the wall.
- 3、 Align the mounting holes and secure the light to the wall.

3、 Pole mounting

Zhongshan Zhongqian Intelligent Electrical Technology Co.,Ltd

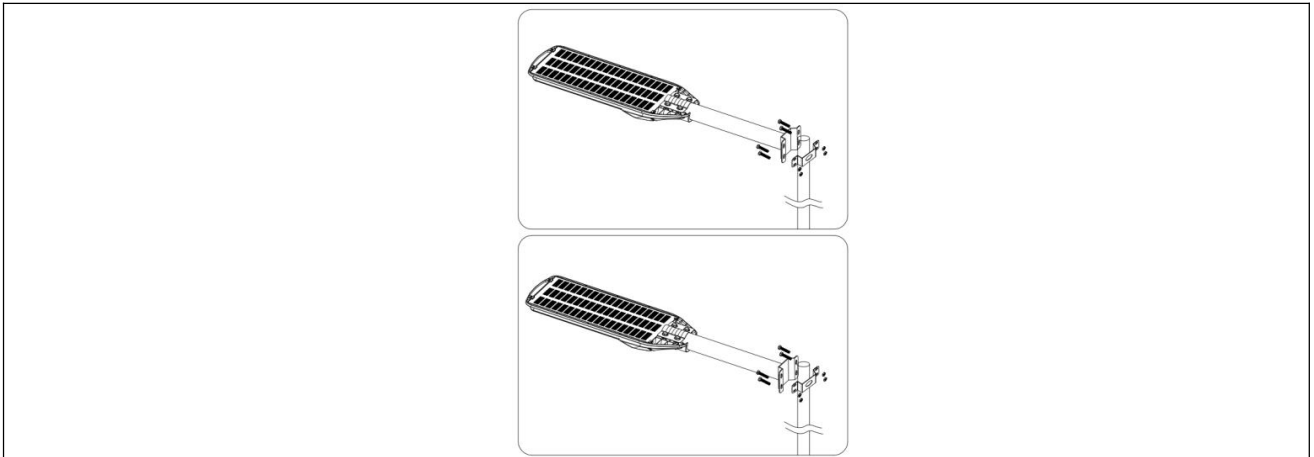
Add: Building 10, Baode Industrial park, No.268 DongFu 3rd road, Dongfeng Town, Zhongshan city, Guangdong Province (Post: 528425)

TEL: 0760-22776393

Fax:0760-22776393-643

Website : <https://zhongqianzled.1688.com>

| | | | | | |
|------|----------|------|------------|---------|-------|
| Date | 2024-6-8 | No. | | Version | A/1 |
| Dept | R&D | Name | 一体路灯长剑二代系列 | Page | 7 / 7 |



- 1、 Secure the bar with the bracket at the location where it needs to be mounted.
- 2、 Screw through the base and bracket and tighten the nut to complete the installation.

Important Notice

- ★ Please keep the installation tools away from children.
- ★ Please do not throw the lamp away because it contains batteries which is recyclable.
- ★ The product is strictly prohibited to be placed on fire because it contains batteries and it might cause explosion.
- ★ Please do not connect to 110/220V alternating current to avoid damage to the lamp.
- ★ Please install on a flat and stable surface, and fix the photovoltaic panel and the lamp body to prevent from hurting people by wind or other reasons .
- ★ In order to keep the lighting effects, please clean up the dust or debris on the surface of the photovoltaic panel every 3-4 months.
- ★ In autumn, winter, continuous cloudy or rainy days, the charging effect will be weakened and the lighting time will be shortened, which is normal.
- ★ Avoid installing lamps near air conditioners, heating objects, or high-voltage power grid systems.

Zhongshan Zhongqian Intelligent Electrical Technology Co.,Ltd

Add: Building 10, Baode Industrial park, No.268 DongFu 3rd road, Dongfeng Town, Zhongshan city, Guangdong Province (Post: 528425)

TEL: 0760-22776393

Fax:0760-22776393-643

Website : <https://zhongqianzled.1688.com>