

市电-工矿灯系列
Mains Power - Industrial and Mining Lamp Series

<http://www.xszmled.com>

AO-014

极光D-UFO-工矿灯



规格书

Specification

PRODUCT NO/产品型号	AO-014-120W	AO-014-150W	AO-014-200W
POWER SPECIFICATION/功率规格	120w	150w	200w
MANUAL NO/版本号	V1	V1	V1
DATE/日期			

目录 (Table of contents)

序号 Serial number	目录 Table of contents	页数 page number
一	封面 cover	1
二	目录表 Outline	2
三	履历表 Bio-data	3
四	产品特点 The main characteristics	4
五	技术参数 Technical parameters	5
六	产品IES图 Product IES Diagram	6
七	产品IES图 Product IES Diagram	7
八	产品IES图 Product IES Diagram	8
九	产品尺寸图 Component Drawing	9
十	产品尺寸图 Component Drawing	10
十一	产品外观图 Product Appearance Diagram	11
十二	产品外观图 Product Appearance Diagram	12
十三	包装信息 Packaging Information	13
十四	安装说明 Installation Instruction	14
十五	应用场景 Application in Scenarios	15
十六	使用说明 Instructions for Use	16
十七	维护维修说明 Maintenance and repair instructions	

产品履历表 Bio-data

更新履历记录 Updated curriculum vitae					
序号 numbering	版本 version	修订时间 Time of revision	修订原因 Reason for revision	修订人 Reviser	备注信息 Remarks information
1	A0	2024-6-24	制定 formulate	余兴	
2					
3					
4					
5					
6					
7					
8					
9					

产品主要特点(The main characteristics)

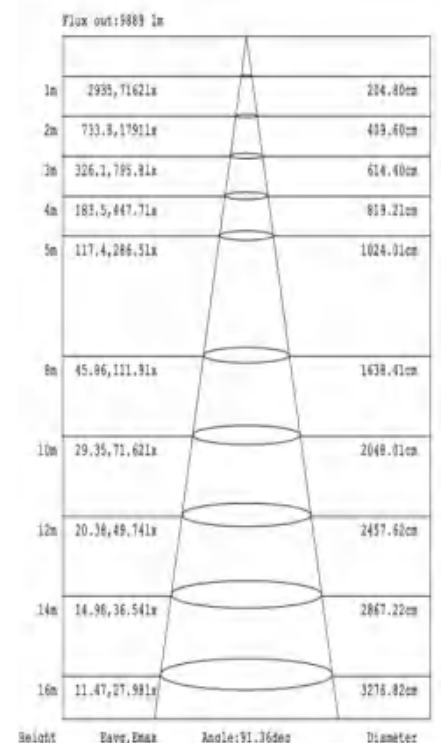
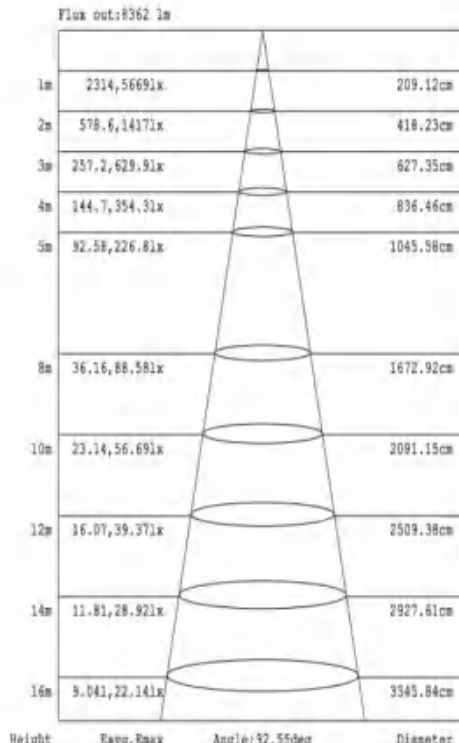
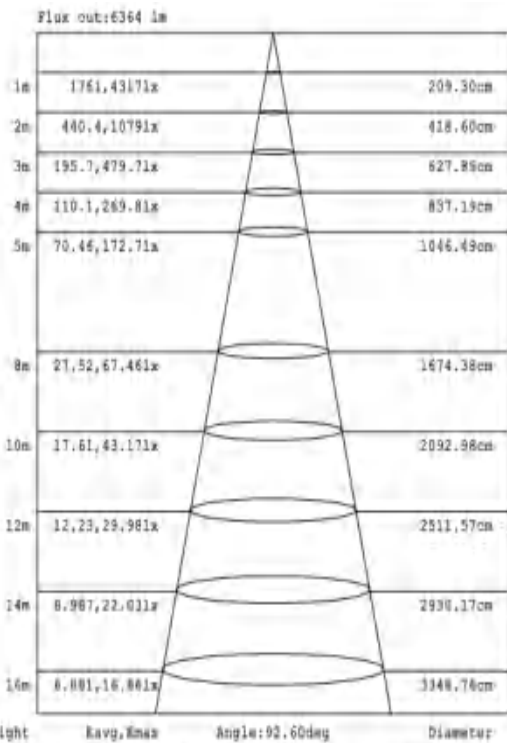
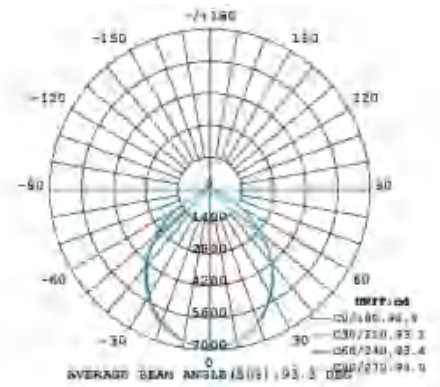
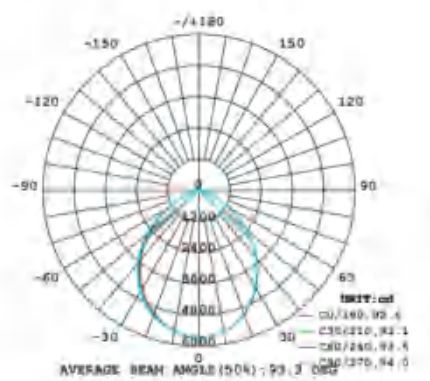
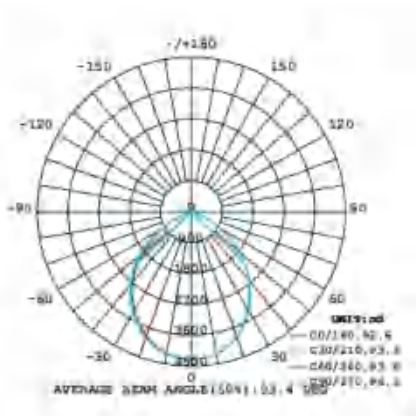
1. 灯体材质采压铸铝, 驱动散热效果好; (The lamp body material uses die casting aluminum, which has good driving heat dissipation.)
2. 采 国内知名品牌SMD贴片光源, 具有高亮度、光衰小、寿命长; (Using well - known domestic brand SMD patch light sources, it has high brightness, small light aggravation, and long life.)
3. 采用的国内知名驱动, 具有稳定、高PF、 效率高、散热效果好等特点; (The domestic well-known drive has the characteristics of stability, high PF, high efficiency and good heat dissipation effect) 。
4. 采用高导热性能的高纯度铝制散热体, 铝散热体经特殊设计, 增加了散热面积, 增强了冷热空气交换的效率, 有效的降低了光源的温度, 保证了产品功能的强稳定性; (The high - purity aluminum heat sink with high heat -conducting performance. The aluminum heat dissipation is specially designed, which increases the heat dissipation area and enhances the efficiency of hot and cold air heat exchange. Effectively reduce the temperature of the light source and ensure the strong stability of the product function.)

应 场景: 主要应用于学校、礼堂、酒店、厂房、加油站、室内体育馆、展览馆、火车站候车室、图书馆、物流仓库、冷库等。 UFO工矿灯, 因外形独特, 外观似UFO (不明飞行物) 而得名。 是一种高能效的室内 LED 灯具, 可以广泛应用在工业厂房、生产车间、商超、体育娱乐场所以及仓库等。 。 (It is mainly used in schools, auditoriums, hotels, factories, gasstations, indoor gymnasiums, exhibition halls, railway station waiting rooms, libraries, logistics warehouses, cold storage, etc. UFO high bay lamp is named because of its unique appearance and appearance like UFO (unidentified flying object). It is a kind of energy-efficient indoor LED lamp, which can be widely used in industrial plants, production workshops, supermarkets, sports and entertainment venues and warehouses)

产品IES图 (Product IES diagram)

A0-014-120w

LOW	MID	HIGH
64W	91W	120W



Note: The Curves indicate the illuminated area and the average illumination when the luminaire is at different distance.

Note: The Curves indicate the illuminated area and the average illumination when the luminaire is at different distance.

Note: The Curves indicate the illuminated area and the average illumination when the luminaire is at different distance.

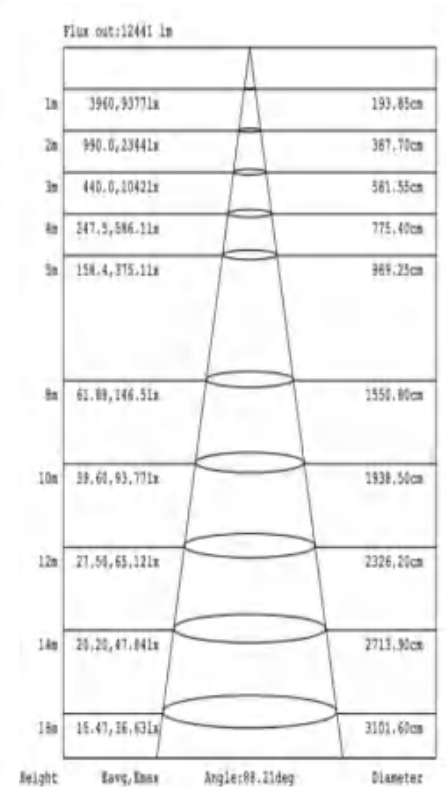
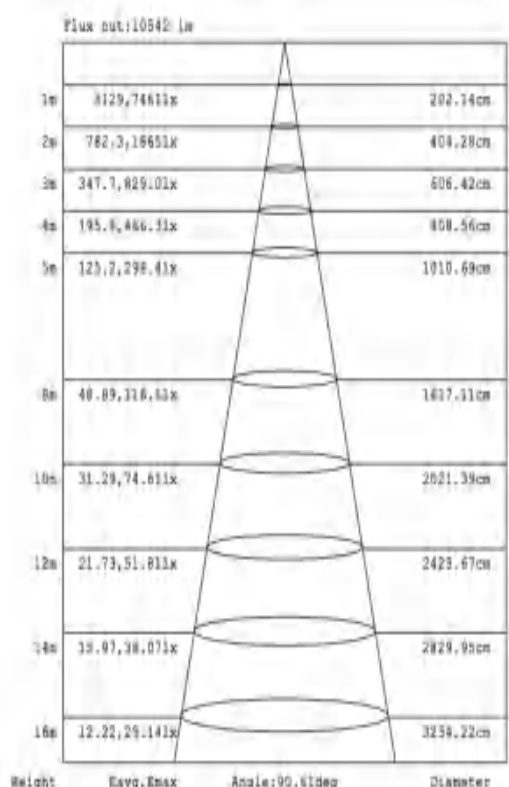
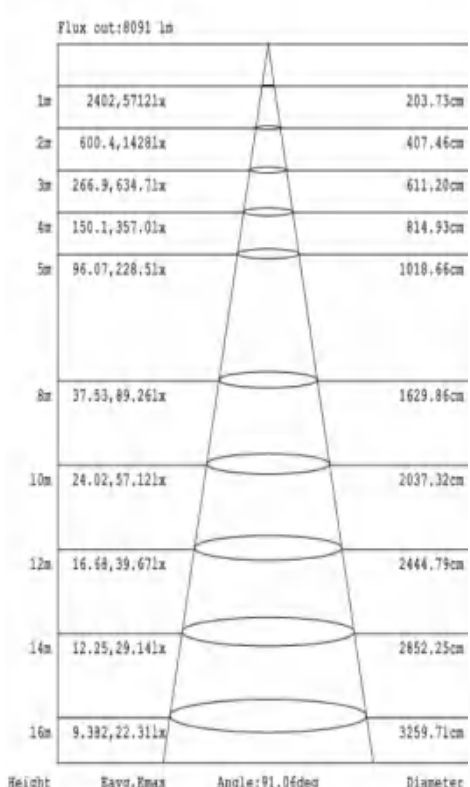
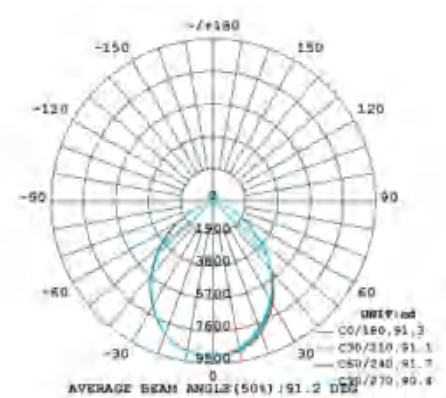
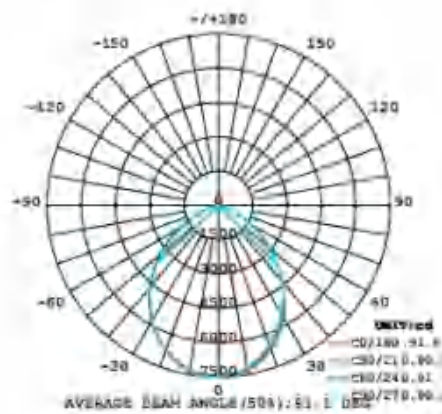
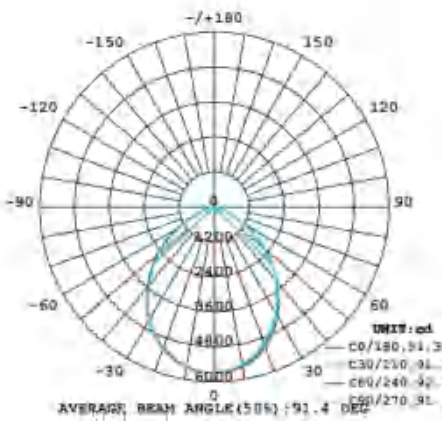
技术参数(Technical Parameter)

产品名称 Name	极光D-120w			极光D-150w			极光D-200w		
产品型号 Commodity	A0-014-120w			A0-014-150w			A0-014-200w		
开关档位: Switch position	LOW	MID	HING	LOW	MID	HING	LOW	MID	HING
额定功率 Rated Power	64W	91W	120W	83W	117W	150W	114W	159W	200W
额定电压/频率 Rated Input voltage/Frequency	120v-277v/50-60Hz								
额定电流 Output current	0.33A	0.44A	0.56A	0.42A	0.56A	0.7A	0.58A	0.77A	0.94A
光通量 Luminous Flux	9013 lm	11838 lm	14384 lm	11786 lm	15344 lm	18623 lm	16987 lm	21934 lm	25805 lm
光效 System Efficacy	142 lm/w	131 lm/w	124 lm/w	144 lm/w	133 lm/w	127 lm/w	149 lm/w	139 lm/w	131 lm/w
色温 Colour temperature	3000-6500k								
灯珠色温 CCT	6000k-6500k								
LED灯珠数量 LED Qty	BMTCL LED-200pcs			BMTCL LED-280pcs			BMTCL LED-400pcs		
功率因数 Power Factor	PF≥0.9								
发光角度 Beam Angle	90±5°								
色容差 Color tolerance	SDCM≤5								
显色指数 CRI(Ra)	Ra > 70								
电源方案 Driver	PHILIPS 拨码								
材料 Material	AL+PC								
线材 Electric wire(三芯)	电源输入线3*1mm ²								
灯具颜色 Lamp Color	砂黑(black)								
防触电等级 Protection Class	Class I								
防护等级 IP Grade	IP65								
雷击浪涌测试 Surge Test	L-N-5KV L-N-P-6KV								
工作环境 Operational Environment	-30℃+40℃								
使用寿命 Service life	50000H								
灯具安装孔径 Installation caliber	Φ10mm								
认证 Approbation	CE								
安装方式 Installation	吊装(Hoisting)								
外观尺寸 Size	Φ 240*142mm			Φ 280*145mm			Φ 320*147mm		
可调角度 Adjustable angle	/			/			/		
质保年限 The warranty period	/			/			/		
灯头重量 Product Weight	1.27kg/个			1.488kg/个			1.825kg/个		
彩盒尺寸 Inner Box Size	/			/			/		
外箱尺寸 Carton Size	51.5*51.5*30.5cm			59.5*30*46cm			67.5*34*47.5cm		
装箱数量 QTY	8pcs			6pcs			6pcs		
重量(净重) N.W	1.27kg/个			1.488kg/个			1.825kg/个		
重量(毛重) G.W	1.58kg/个			1.88kg/个			2.3kg/个		

产品IES图 (Product IES diagram)

A0-014-150w

LOW	MID	HIGH
83W	117W	150W



Note: The Curves indicate the illuminated area and the average illumination when the luminaire is at different distance.

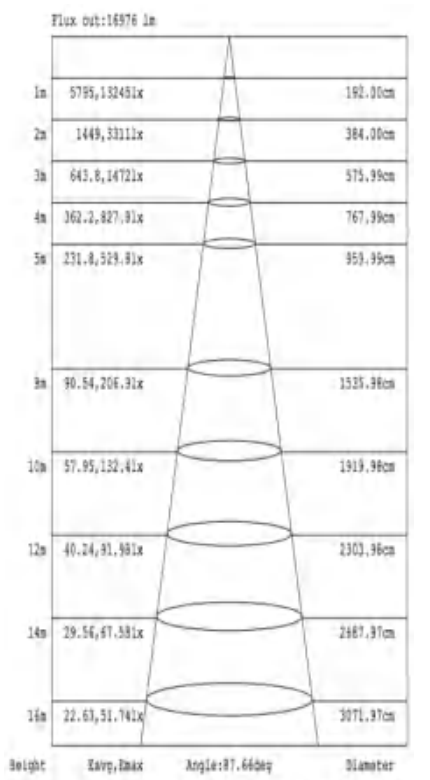
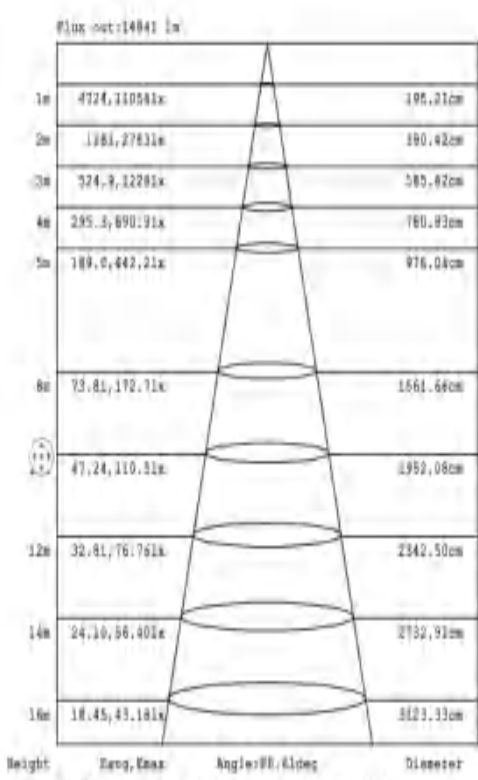
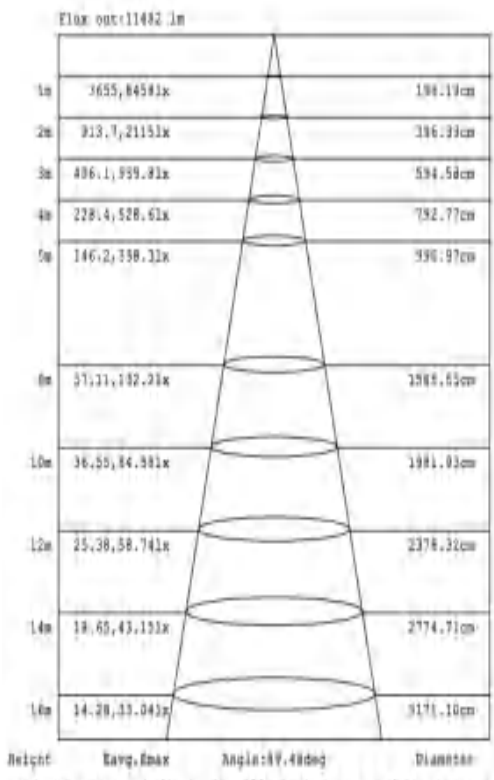
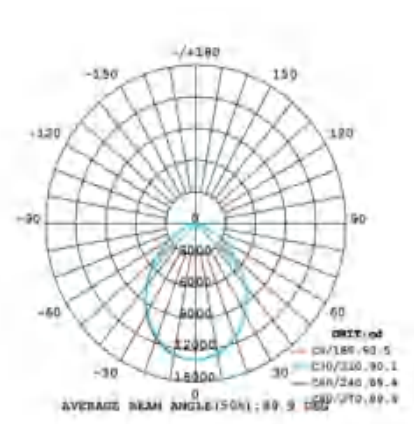
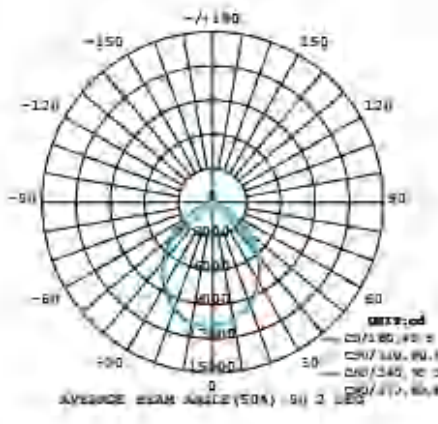
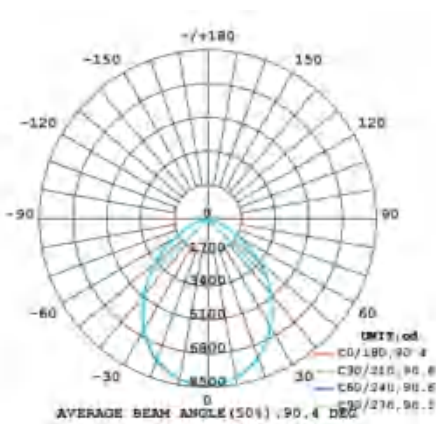
Note: The Curves indicate the illuminated area and the average illumination when the luminaire is at different distance.

Note: The Curves indicate the illuminated area and the average illumination when the luminaire is at different distance.

产品IES图(Product IES diagram)

AO-014-200w

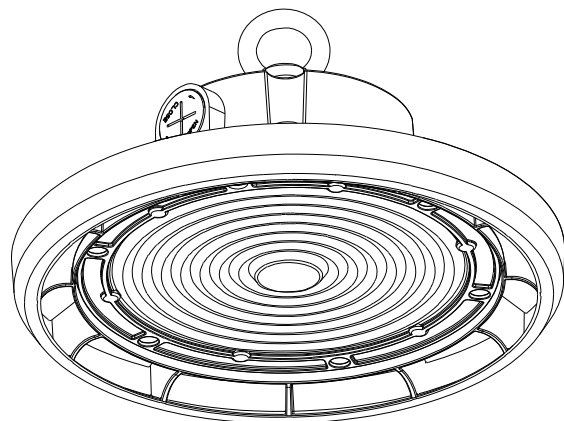
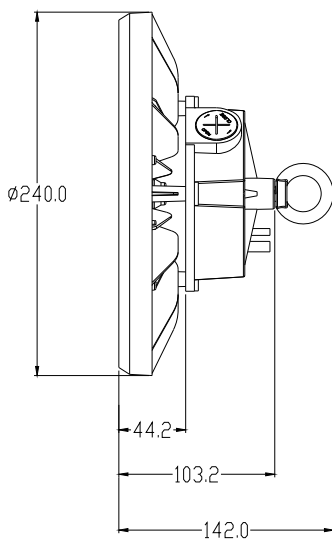
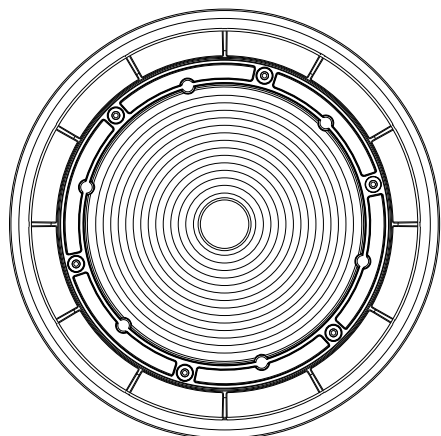
LOW 115W	MID 159W	HIGH 200W
--------------------	--------------------	---------------------



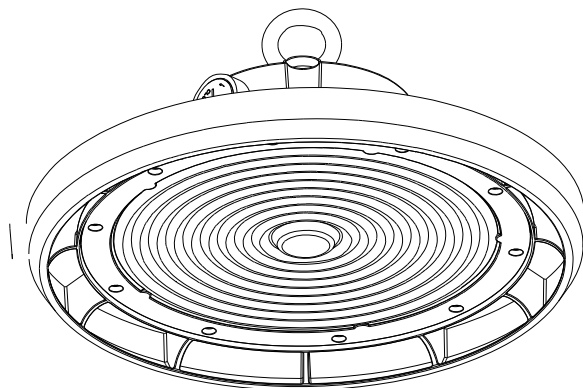
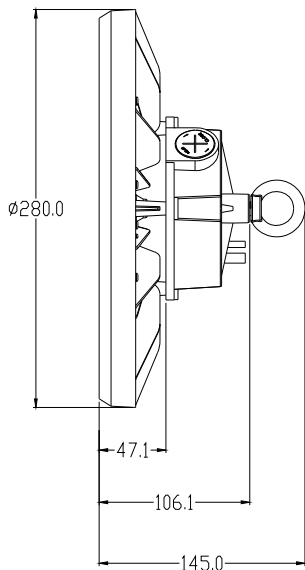
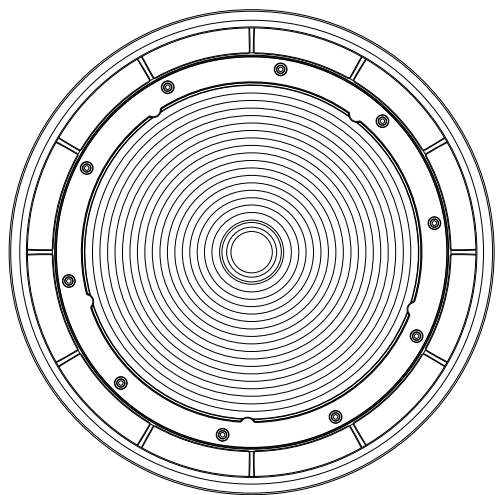
产品尺寸图(Component Drawing)

标注单位:mm

AO-014-120w



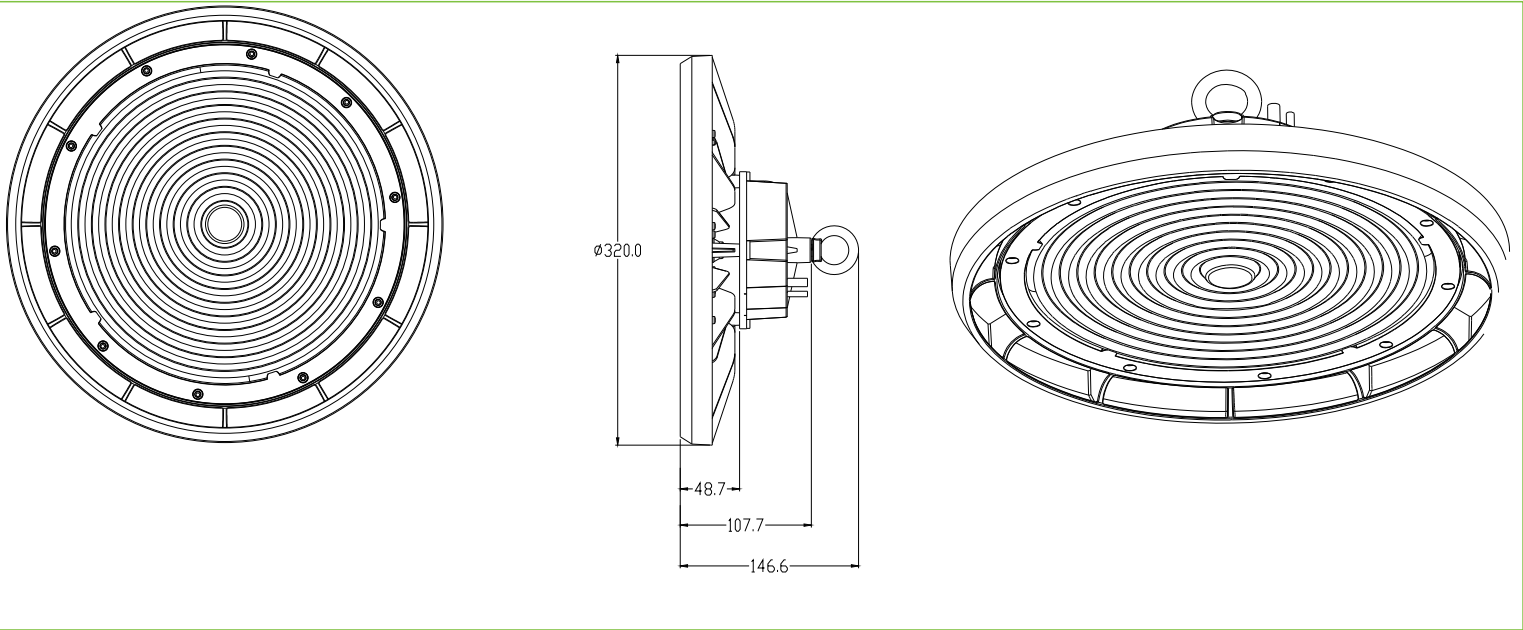
AO-014-150w



产品尺寸图(Component Drawing)

标注单位:mm

AO-014-200w



产品外观图 Product Appearance Diagram

AO-012-100w



AO-012-150w



产品外观图 Product Appearance Diagram

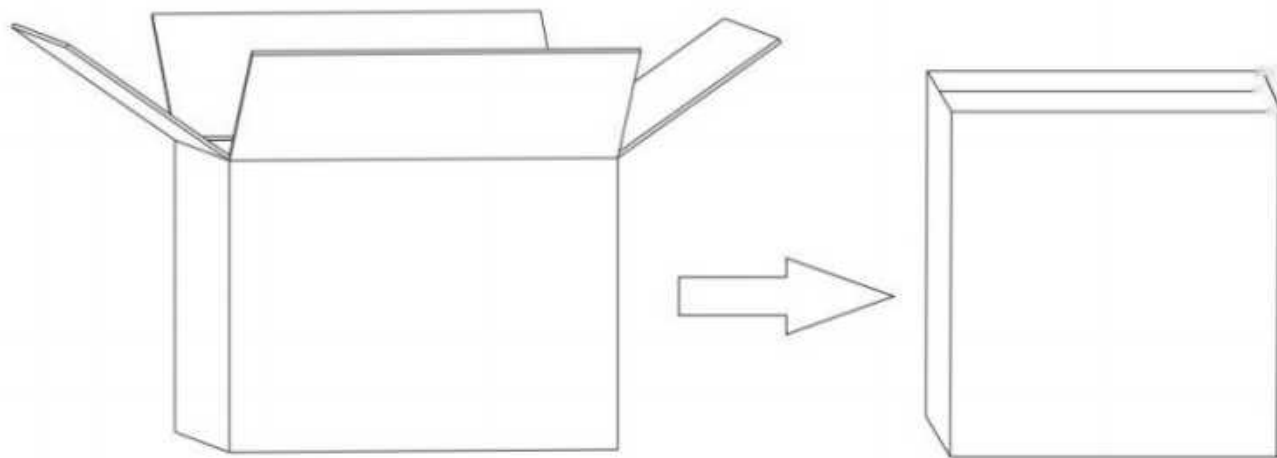
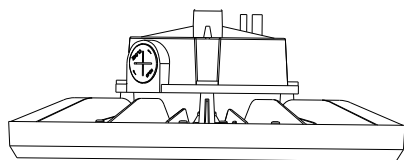
AO-012-200w



包装信息Packaging Information

产品型号 (Product Series)	A0-014-120w	A0-014-150w	A0-014-200w	
外箱尺寸 (Size of Carton)	51.5*51.5*30.5cm	59.5*30*46cm	67.5*34*47.5cm	
装箱数量 (Packing quantity)	8pcs	6pcs	6pcs	
净重 (Net weight)	1.27kg/个	1.488kg/个	1.825kg/个	
毛重 (Gross weight)	1.58kg/个	1.88kg/个	2.3kg/个	

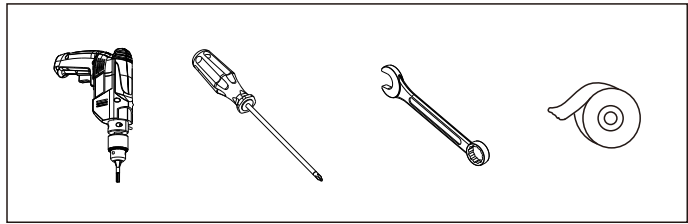
包装方式/Packing



安装说明/Installation Instruction

一、工具推荐 (Tools Recommended):

1. 手电钻 (Globe drill)
2. 十字螺丝 (Cross screwdriver);
3. 绝缘胶带 (Insulation tape);
4. 扳手等 (Wire , etc)。



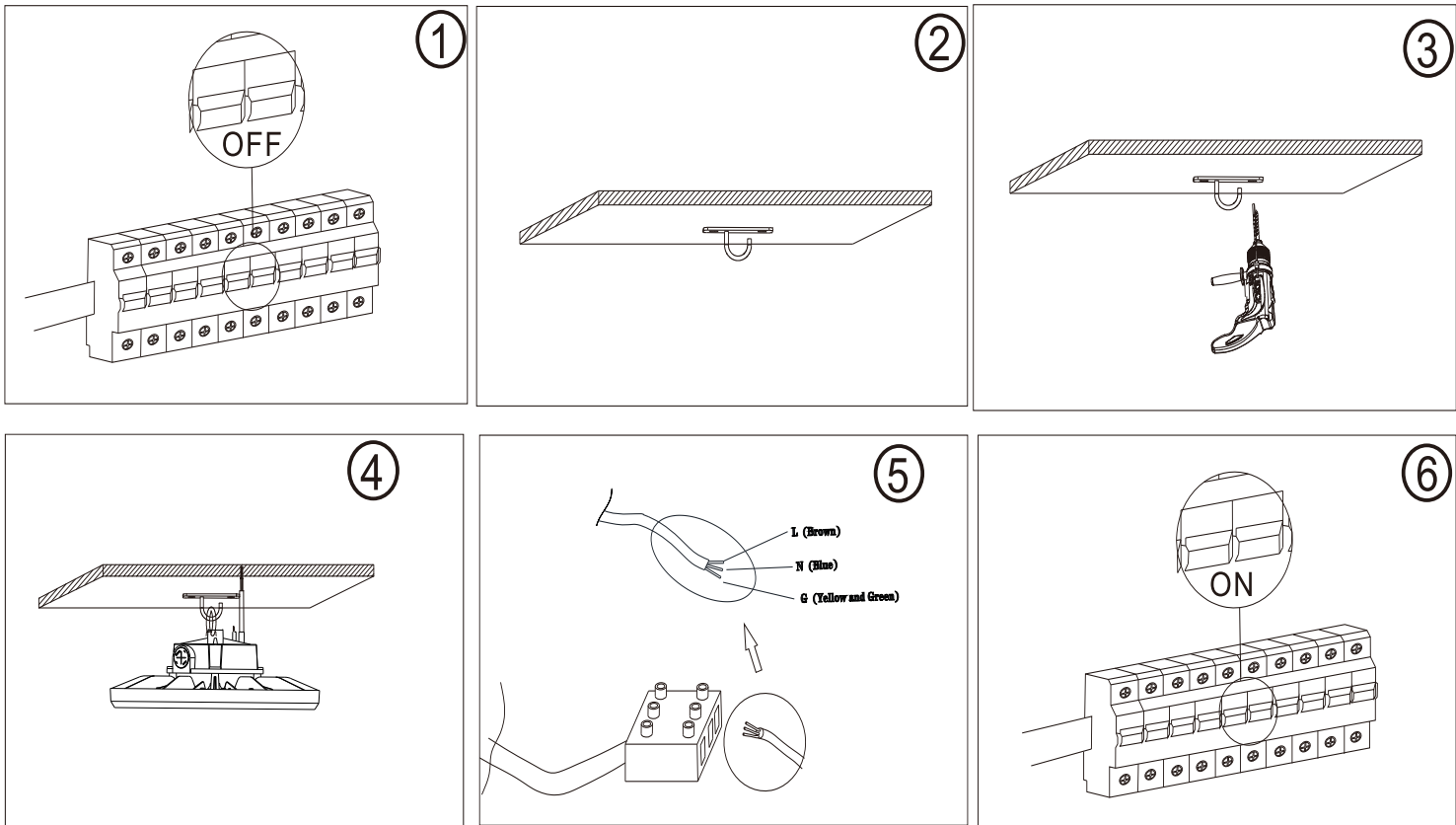
二、安装步骤 (installation steps):

1. 工作电压:AC120 ~277V, 50/60Hz, 超过电压范围有危险, 这是户外灯, 防水防尘, 防护等级为IP65, 适用于户外照明。不要把全部的东西处于密闭或空气循环不良的环境中。Working voltage:AC120 ~277V, 50/60Hz; It 's dangerous over the voltagerange.This is outdoor lamp, It 's waterproof and dust-proof.The protectiongrade is IP65. It 's suitable for outdoor lighting. Don 't inst all it in closed orpoor air circulation environment.

2. 安装前请确保电线连接正确。必须在接头处采取防漏电措施, 以避免事故的发生。必须在接头处采取措施防止渗水。否则灯泡的寿命会缩短。Make sure that the wires are connected properly before installing. Themasure must be taken at the joint to prevent electric leakage in order toavoid accident.The measure must be taken at the joint to prevent wateringress. Otherwise the lifespan of the b lamp will be shorten.

3. 未经工厂允许, 不得拆卸灯具。不专业的操作会严重影响产品的性能和功能。It 's not allowed to disassemble the lamp without permission from thefactory. The performance and function will be af ected badly byunprofessional operation.

三、如图下 (As shown in the figure):



使用说明(Instructions for Use)

1. 产品使用工作电压: AC120V-277V 50/60Hz, 请勿超出工作电压范围. (The working voltage of the product is AC120V-277V 50/60Hz. Do not exceed the working voltage range.) .
2. 由于灯具有塑料PC材质透镜, 属易损坏配件, 在搬运、储存的时候请注意轻拿轻放, 勿重压. (As the lamp is plastic PC lens which is easy to damage, please handle it with care when handling and storing, and do not put it under heavy pressure.)

安装使用说明(Installation instructions):

1. 安装灯具时, 接线与接线处封闭好, 防止漏电. 接线过程中, 请勿通电. (When installing lamps and lanterns, the wiring and wiring place shall be sealed to prevent electric leakage. Do not electrify during wiring.)
2. 外接电源线时, 必须采取相应的防水防漏电措施. (When external power lines are connected, corresponding waterproof and leakage prevention measures must be taken.)
3. 该灯具使用时不能违反任何防火法规. (It shall not violate any fire regulations when used the lamp).
4. 请找专业电工安装. 电缆线径为 $3 \times 1\text{mm}^2$. 三芯电缆, 棕色为火线, 蓝色为零线, 黄绿双色线为地线. (Please find professional electrician for installation. The cable should be $3 \times 1\text{mm}^2$ three-core cable, the brown wire is "L" wire, the blue wire is "N" wire, and the yellow-green wire is the "PE".)

应用场景Packaging Information

场景一



场景二



维护维修说明 (Maintenance and repair instructions) :

1. 维护维修前请确定已经断电。(Please make sure that the power has been cut off before repairing the lamp.)
2. 定期对灯具的PC罩进行清洁,以保持灯具良好的透光性。(Clean the PC cover.of the lamps regularly to keep good light transmittance.)
3. 定期对灯具的外壳的灰尘进行清洁, 以保持良好的散热性能。(Regularly clean the dust of the outer shell of the lamp to maintain good heat dissipation performance.)
4. 注意不要用水或者带有腐蚀性的溶液进行清洁, 最好用干抹布。(Be carefuldo not clean the lamps with water or corrosive solution, but rather with a dry rag.)
5. 灯具避免在腐蚀环境或者含有有害物质, 例如硫化物, 卤化物, 邻苯二甲酸酯等环境中储存和使用。(Avoid storing and using lamps in corrosive environment or environment containing harmful substances, such as sulfide, halide and phthalate.
6. 灯具安装,维护时, 不可直视光源。(When installing and maintaining lamps,do not look directly at the light source)

在正常使用条件下, 质量保证是基于产品的正确保存、安装、使用和维护; 由于安装使用不当, 违反产品操作规程, 而引起的产品损坏, 不属于本保证范围之内; 对质量保修期内的质量问题, 本公司在保修期内将选择修复、调换(零部件)或更换新产品等方法给予解决; 超过质量保用期将适当收取材料、人工费用, 自然因素和环境因素引起的产品质量问题不在质保范围内。

Under normal use conditions, quality assurance is based on the correct preservation, installation, use and maintenance of products; Product damage caused by improper installation and use and violation of product operation regulations is not within the scope of this guarantee; For the quality problems during the quality warranty period, the company will choose to repairing, repairing parts or repairing new products during the warranty period; If the warranty period exceeds, materials and labor costs will be properly charged. The product quality problems caused by natural factors and environmental factors are not covered by the warranty.