

HB MODEL

Solar Flood Light



3 YEARS
WARRANTY



IP65
WATERPROOF



SOLAR
ENERGY



REMOTE
CONTROL

PRODUCT INFORMATION

The HB series is the latest generation of high-powered solar flood lights from HESHI LIGHTING. With up to 100% brighter output and an impressive 180lm/W efficacy, the HB series features true LiFePO4 battery technology and an all-black monocrystalline silicon solar panel, delivering continuous lighting performance from dusk till dawn. The remote control allows effortless setup of lighting modes, timer functions, and more to maximize performance. HESHI LIGHTING solar flood lights also come with a charging indicator light to monitor the charging status at all times.

- 100lm/W efficacy
- LiFePO4 battery technology
- External solar panel with an all-black mono solar panel
- Adjustable modes via remote control
- Adjustable timer lighting functions
- Equipped with a charging indicator light



TECHNICAL INFORMATION

Colour temperature: 3000-8000K

CCT: Single CCT

CRI: 80+

Efficacy: 100lm/W

Beam angle: 80 x 150°

Charge time: 4-6hrs

Dimmable: Yes, via remote

Warranty: 3 Years warranty * 1 year for battery

Life: 50000hrs** (LED), up to 2400 cycles 80% DOD (battery)

LED chip: SMD 2835

Body colour: Black

Cable length: 3m*0.75mm

Mounting method: 45-64mm slip fit adjustable pole mount

Light module tilt: $\pm 40^\circ$

Temperature range: -10°C to 65°C

IP rating: IP65

LED tests: LM79/LM80

Accessories: Additional remote (X6)

Material type: ABS body + glass

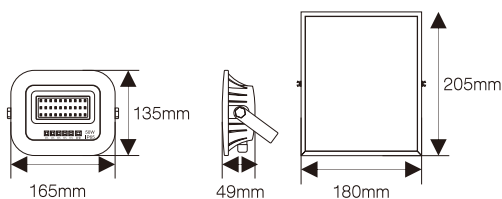
Kit includes: Solar light, instructions, remote control, solar panel and adjustable bracket

*LiFePO4 solar battery & remote - 1 year warranty

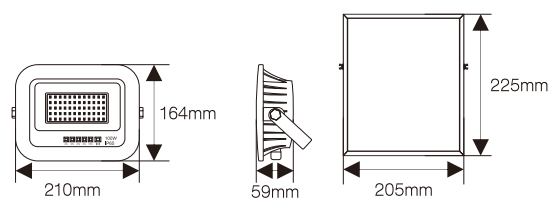
**Average life is calculated on expected average lifespan

Product Model	HS-HB-50W	HS-HB-100W	HS-HB-200W	HS-HB-300W	HS-HB-400W	HS-HB-500W
LED Chip	SMD2835 30pcs	SMD2835 60pcs	SMD2835 160pcs	SMD2835 160pcs	SMD2835 250pcs	SMD2835 250pcs
Wattage	50W	100W	200W	300W	400W	500W
Battery Capacity	3.2V/4AH	3.2V/ 8AH	3.2V/ 12AH	3.2V/16AH	3.2V/ 20AH	3.2V/ 24AH
Solar Panel	5V/ 6W	5V /8W	5V/ 12W	5V/ 15W	5V/ 20W	5V/ 25W

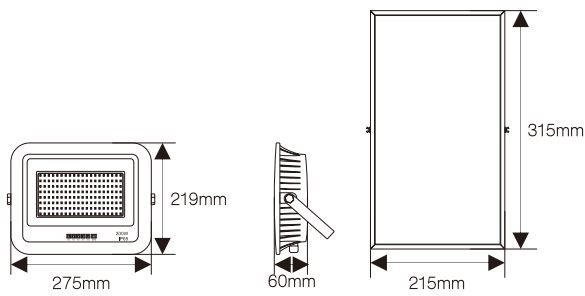
Size



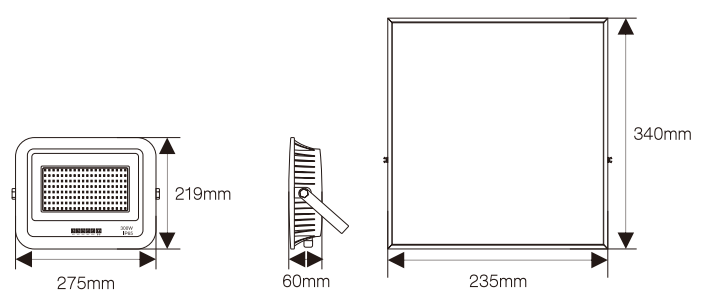
50W



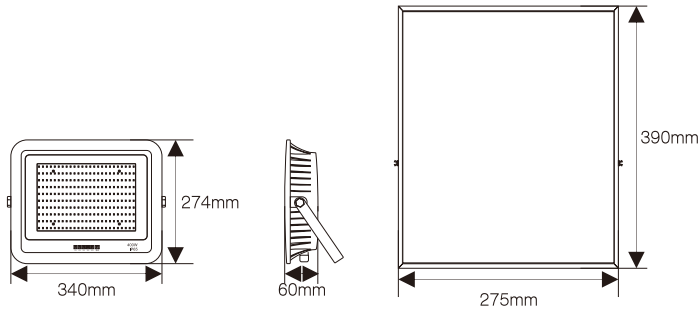
100W



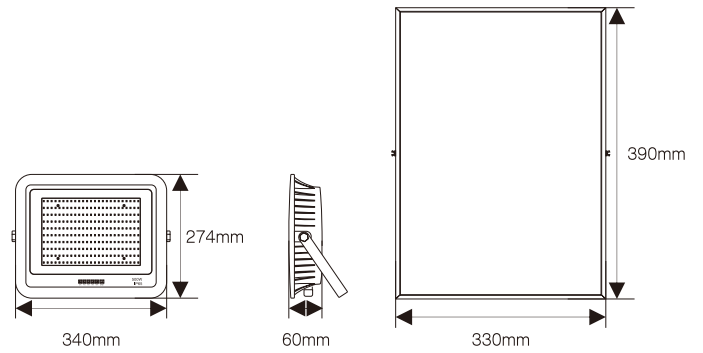
200W



300W

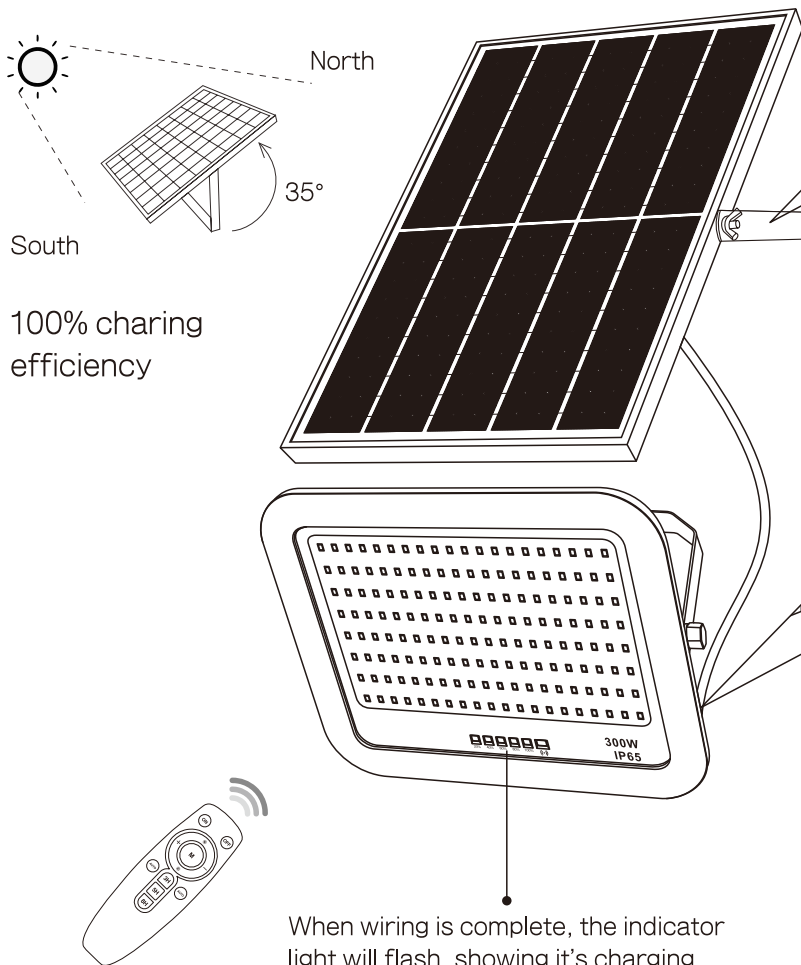


400W



500W

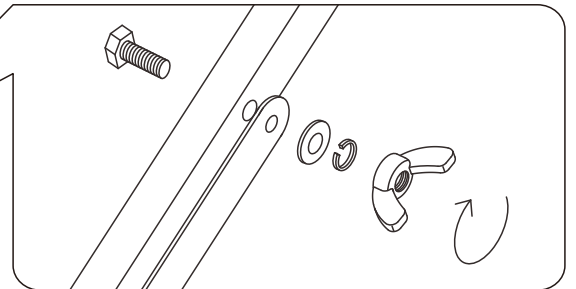
INSTALLATION GUIDE



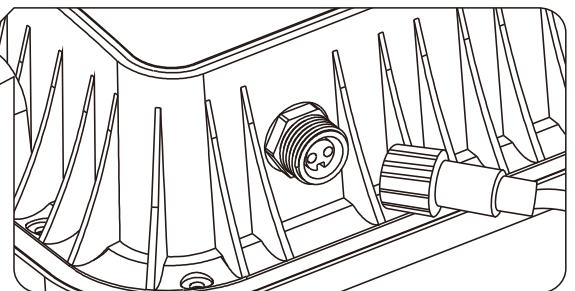
North
35°
South

100% charging efficiency

When wiring is complete, the indicator light will flash, showing it's charging (solar panel is exposed to sunlight).



Multiple washers can provide a buffer between the bolt and nut, reducing loosening caused by vibrations.



Using an all-copper power connection cable enables faster charging and features a protective screw cap.