

LED STREET LIGHT

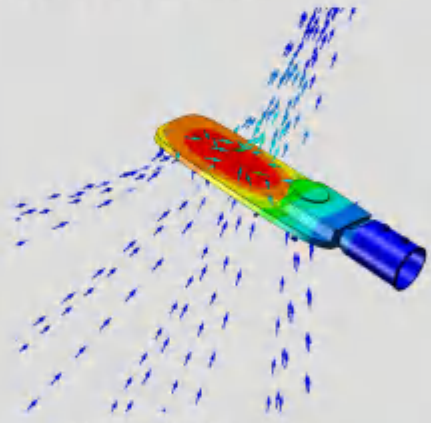
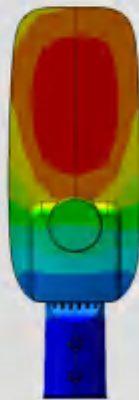
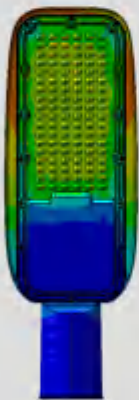


PRODUCT OVERVIEW



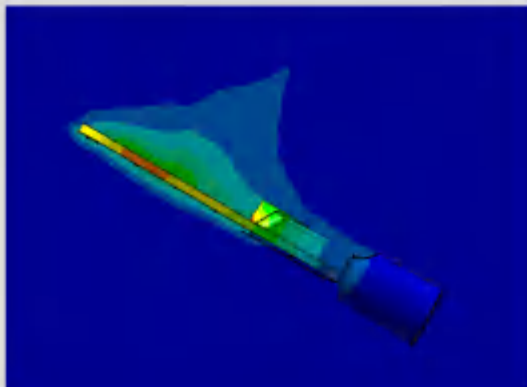
THERMAL MANAGEMENT

Structure is optimized by advanced FEA technology. Achieving longer lifespan at best cost-efficiency.

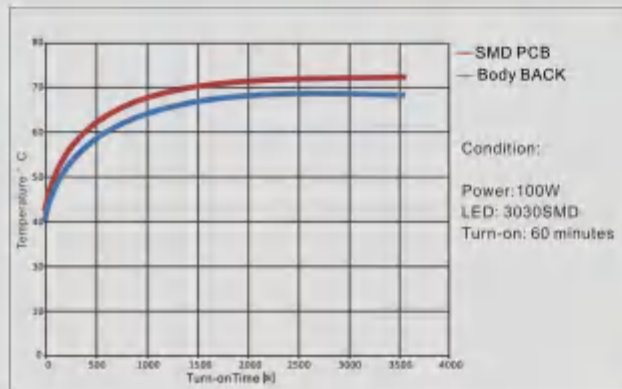


Thermal Conductivity

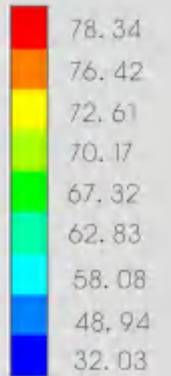
Thermal Air Convection



Thermal Air Flow

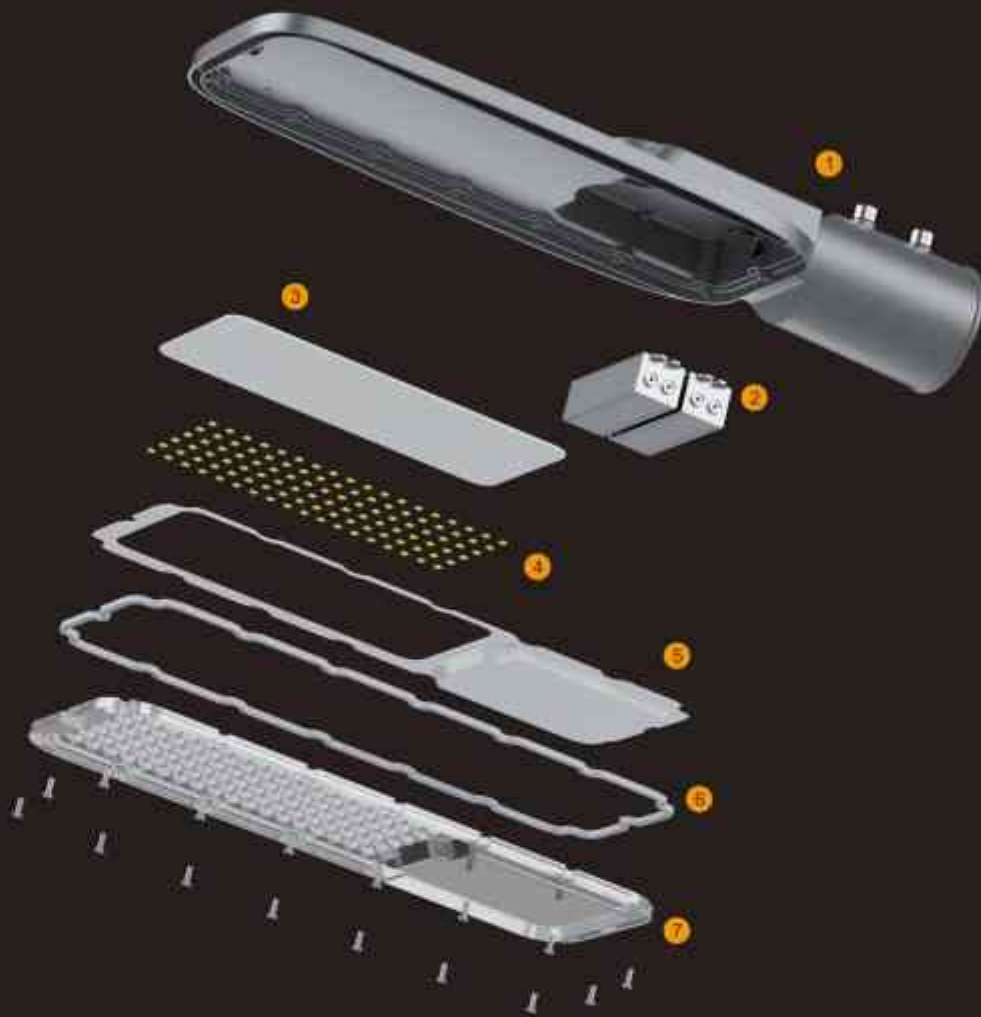


Temperature Rise Curve

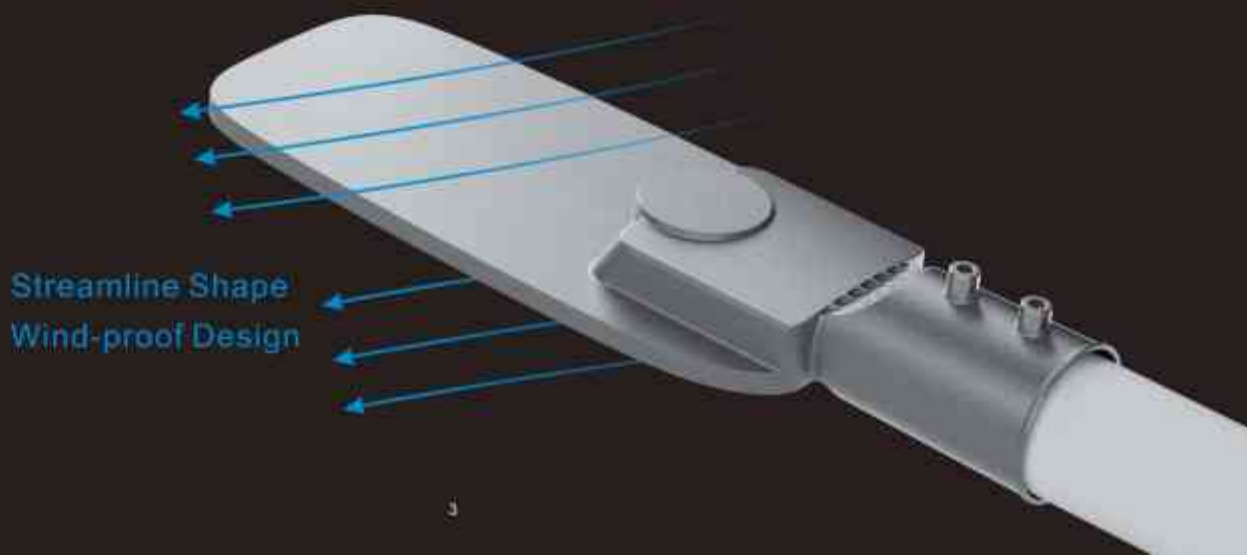


Unit: °C

EXPLODED VIEW



- 1 ADC12 Die-casting Aluminum Heatsinker
- 2 Waterproof LED Driver
- 3 High efficiency aluminum PCB
- 4 High Lumen SMD3030 Light Source
- 5 Nano-pc Reflector
- 6 Waterproof Silicone Ring
- 7 UV-proof Optical Lens



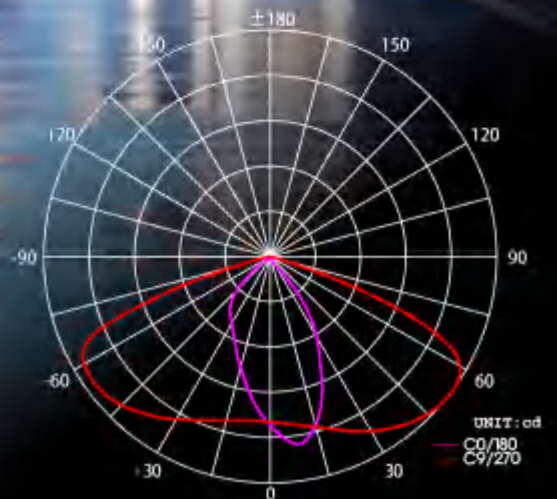
Streamline Shape
Wind-proof Design

APPLICATIONS

This series of street lights have IP65 protection design. Widely used in roads, commercial, residential Parks, squares, villas and other scenes.



Optional photocell sensor

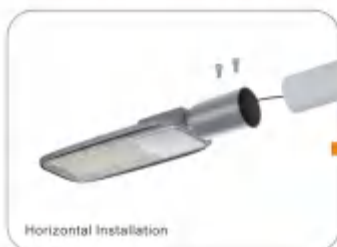


70°*140

FIXED ADAPTER



INSTALLATION INSTRUCTIONS

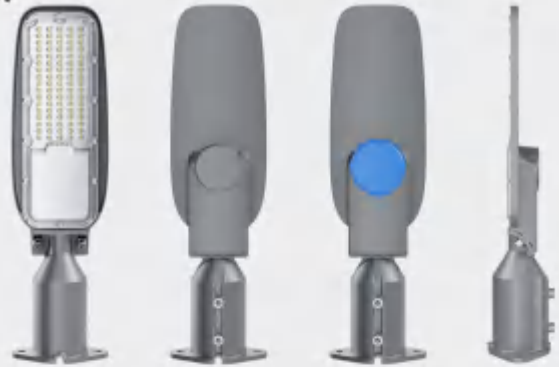


ADJUSTABLE ADAPTER

40W



60W



100W



150W



200W



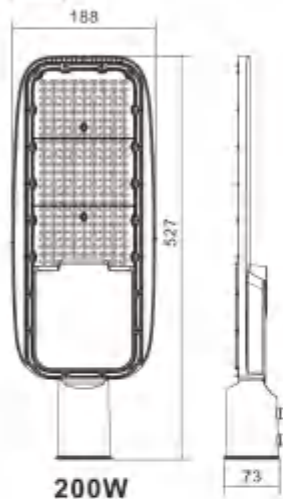
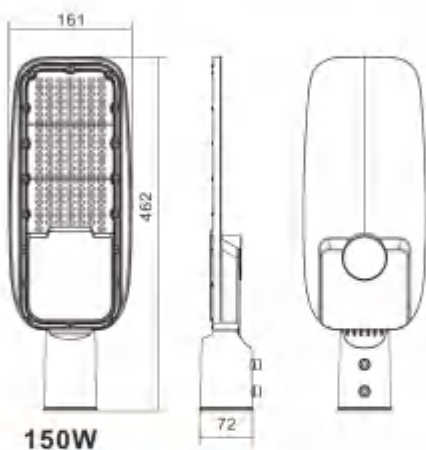
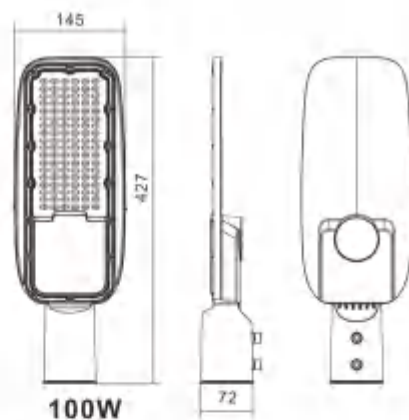
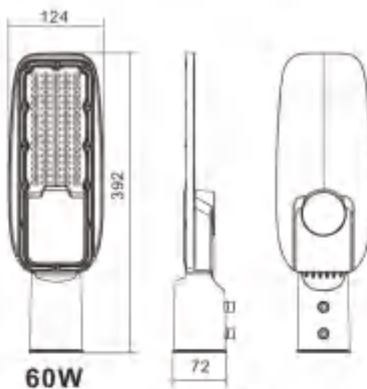
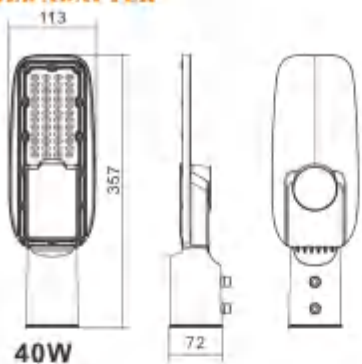
PACKAGING



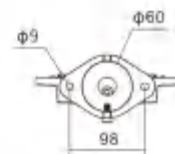
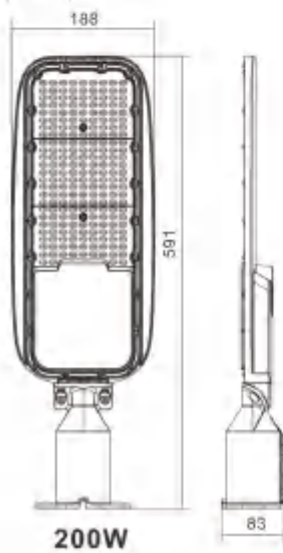
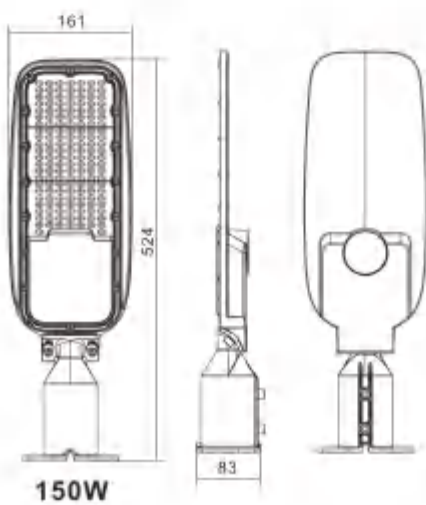
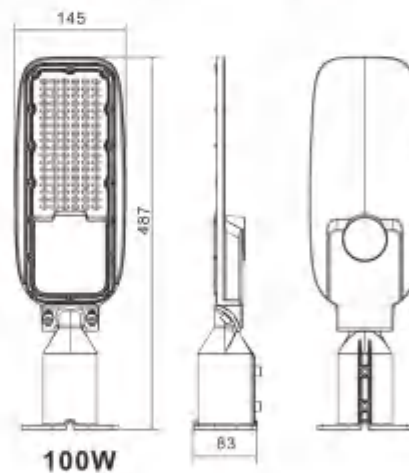
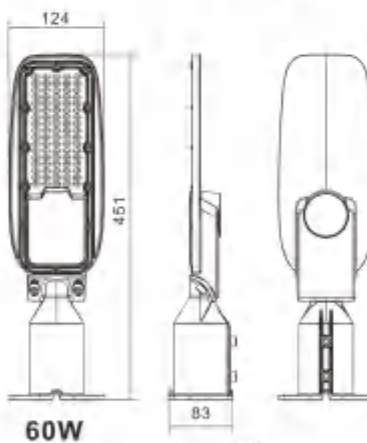
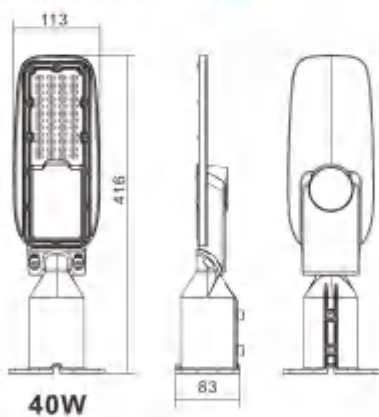
DIAGRAMS

Unit:mm

FIXED ADAPTER



ADJUSTABLE ADAPTER



SPECIFICATIONS

Model No.					
Power	40W	60W	100W	150W	200W
Case Weight-Fixed Adapter(g)	330g	360g	430g	500g	810g
Case Weight-Adjustable Adapter(g)	265g	300g	370g	450g	760g
PCB	48LEDS/4B12C	84LEDS/7B12C	108LEDS/9B12C	156LEDS/13B12C	216LEDS/18B12C
IP	IP65	IP65	IP65	IP65	IP65
Inner Box Size(cm)	11.8x8.7x41.5	12.8x8.7x44.7	14.8x8.7x48	16.3x8.7x52	19.1x8.7x58.7
CTN Size (cm)	46x42.5x25.1	46x45.7x27.1	49x46x31.1	53x46x34.1	59.7x46x39.7
Qty(pcs)	10	10	10	10	8

INSTALLATION SUGGESTIONS

