

**ADJUSTABLE  
LED STREET LIGHT  
BANANA LEAF SERIES**

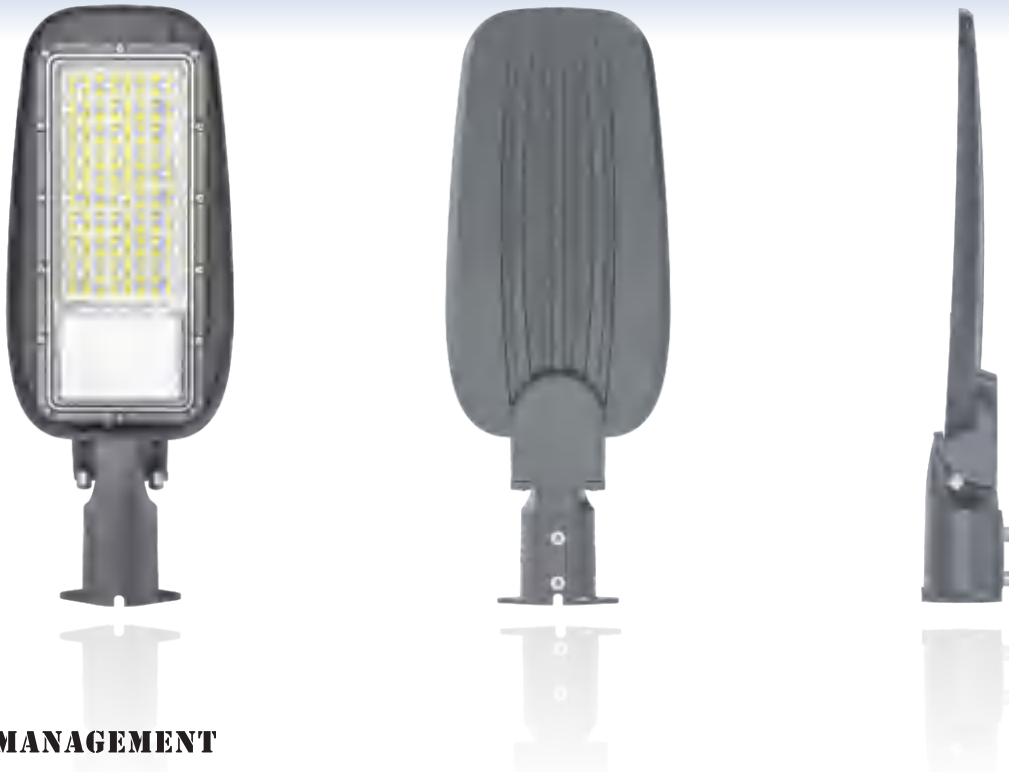
50W/70W/100W/150W/200W

IP66



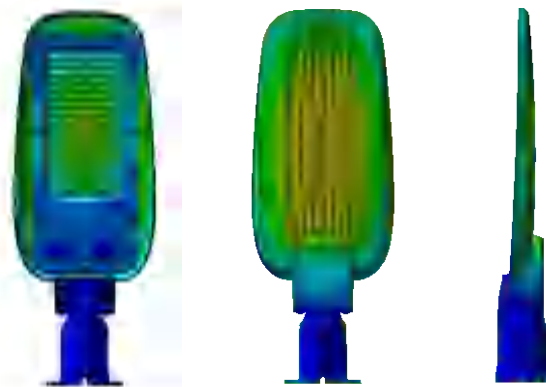
Housings Only  
No Driver  
No Light Source

# OVERVIEW

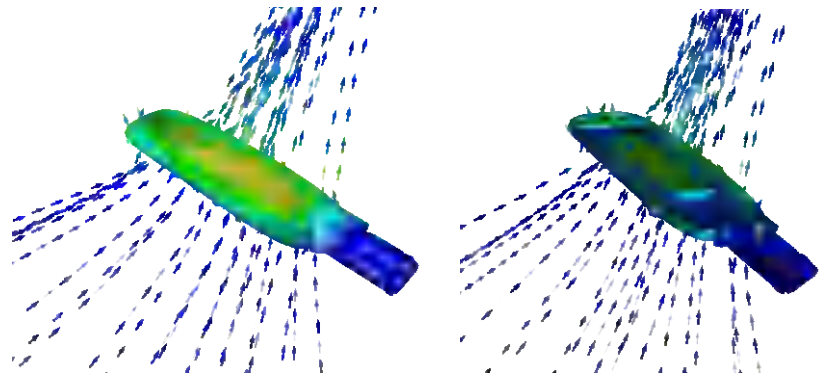


## THERMAL MANAGEMENT

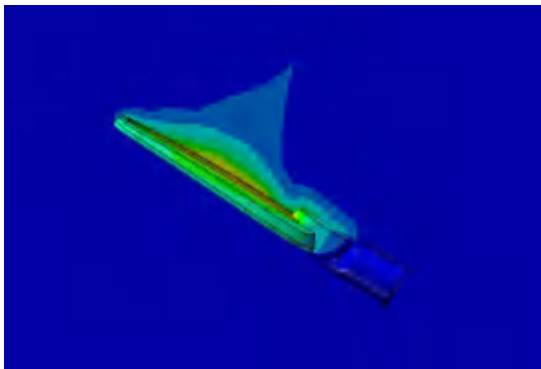
Use advanced FEA technology to optimize product heat dissipation structure design. The temperature rise of the lamp is well controlled, the temperature difference between the inside and outside is small, the heat spreads evenly, and the luminous flux maintenance rate is high.



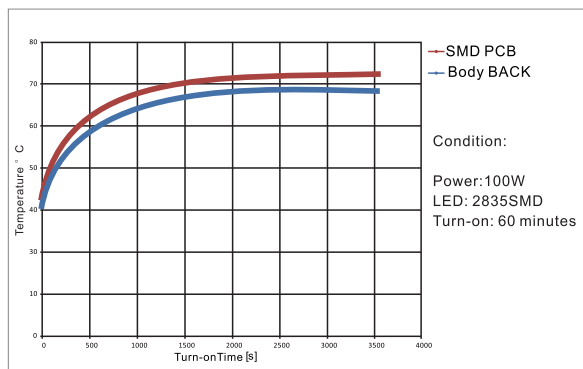
Thermal Conductivity



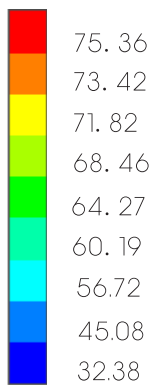
Thermal Air Convection



Thermal Effects to Environment



Temperature Rise Curve



Unit: °C

# EXPLODED

ADC12 Die-casting aluminum housing,  
Thermal efficiency 96W/M.K

High efficiency aluminum PCB

High lumen 2835 SMD

90°/180° Adjustable Adapter

Anti-UV nano-PC reflector

Waterproof Silicone Ring

UV-proof Optical Lens

304 Stainless steel screws

# INSTALLATION INSTRUCTIONS



Horizontal installation



Finished-Horizontal installation



Vertical installation



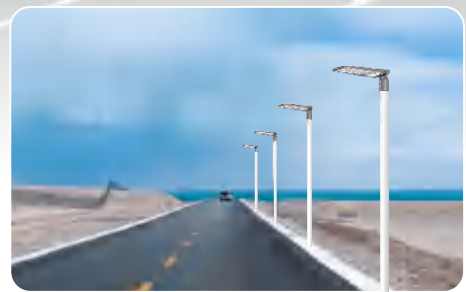
Finished-Vertical installation

## APPLICATIONS

This series of street lights have IP66 protection design.  
Widely used in roads, communities, courtyards,  
Parks, squares, villas and other scenes.



Community



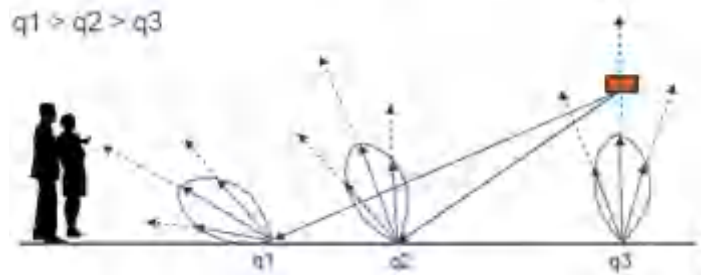
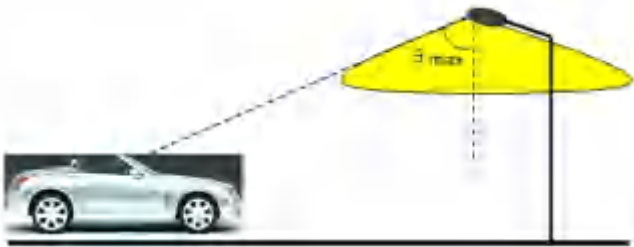
Road

**Streamline Shape**  
**Wind-proof Design**

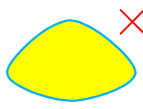
# OPTICS

Technical support:

By providing the length, width and other parameters of the space and telling us the purpose of the space, we can conduct professional DIALUX lamp layout simulation for you. Pre evaluate the installation quantity and illumination effect of lamps for your project. We have a complete .ies file for each type of lamp. You are welcome to request it.



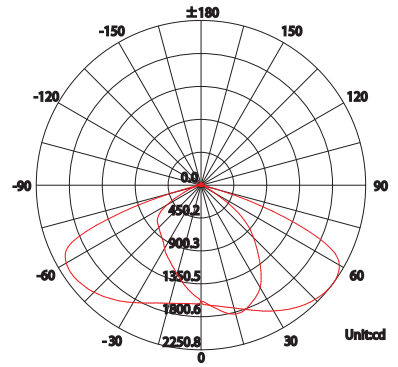
Energy Saving



Light Uniformity

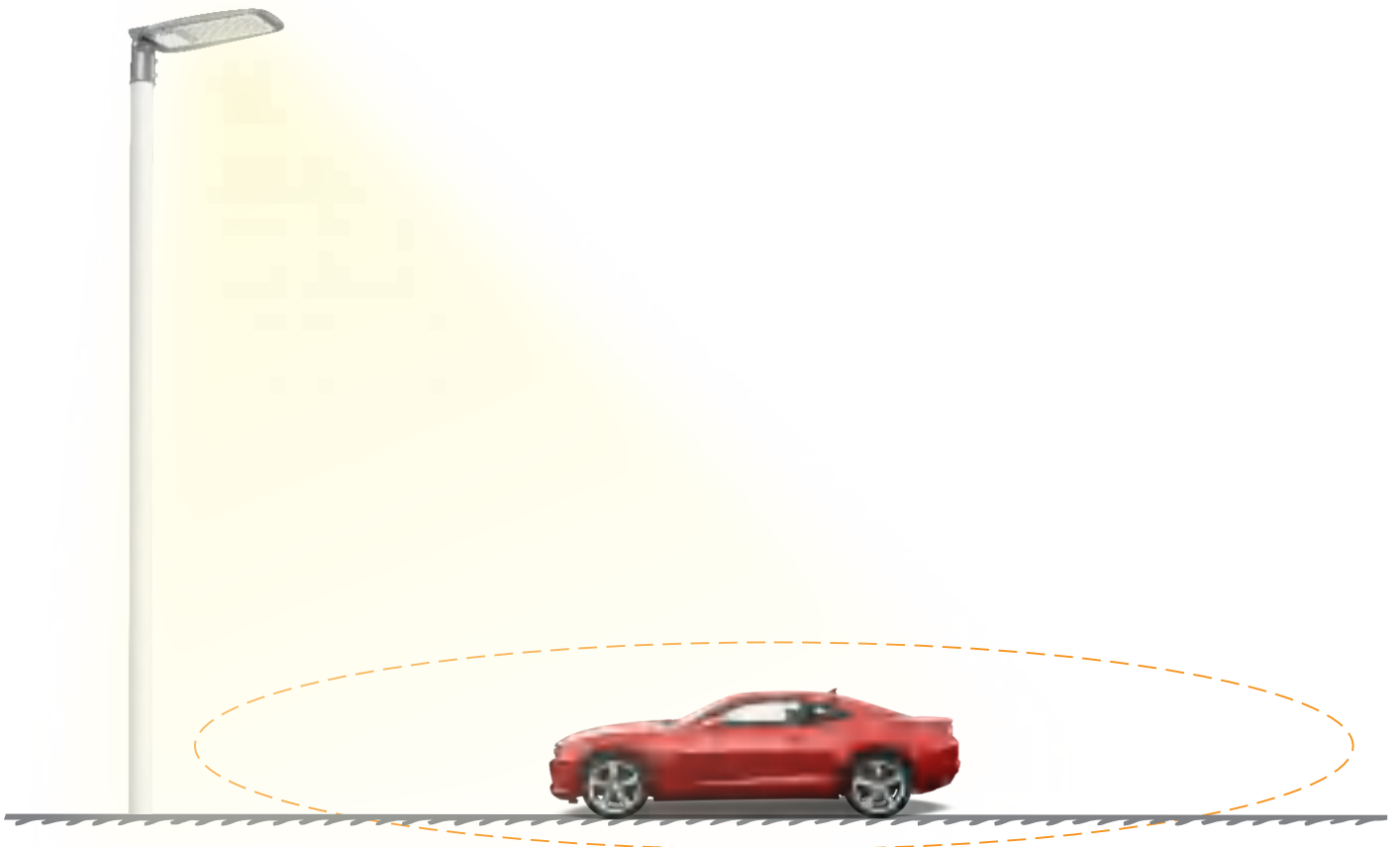


Cut-off Angle

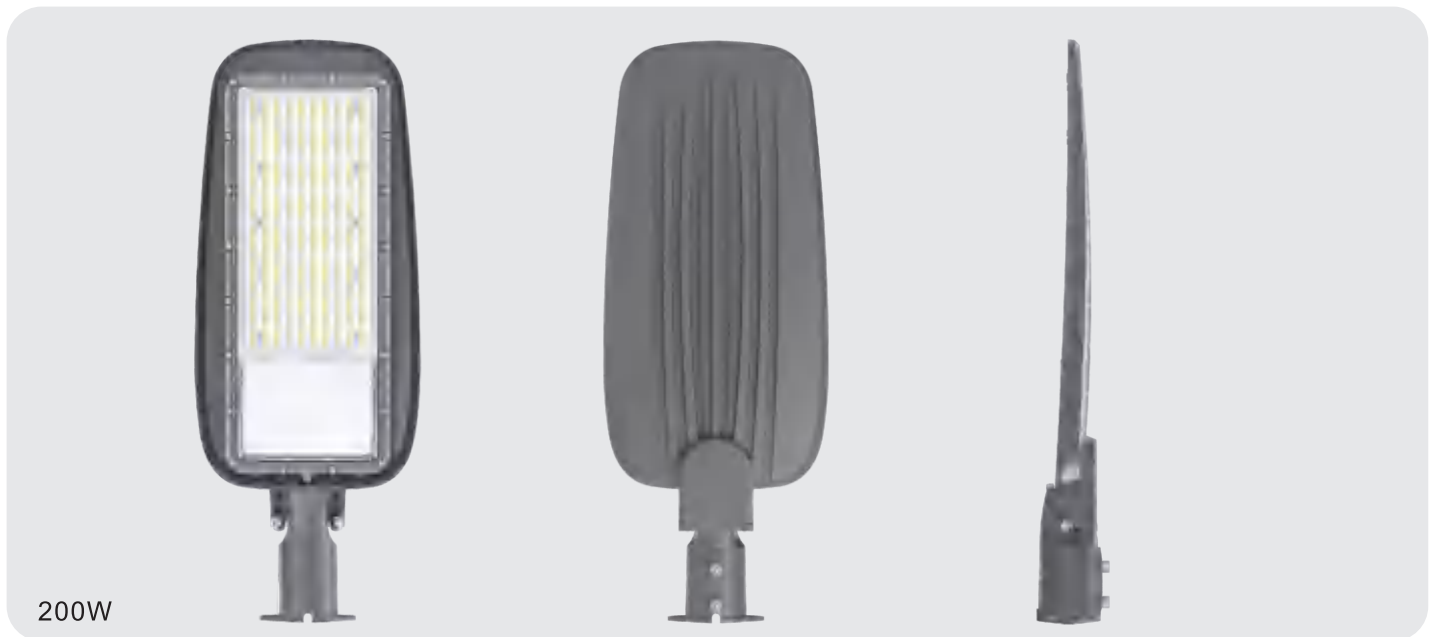


C Plane [50%MaxAng.][10%MaxAng.]  
 C0.0\_180.0 : 140.6 151.7  
 C90.0\_270.0 : 82.7 130.5

C Plane Lighting Distributions

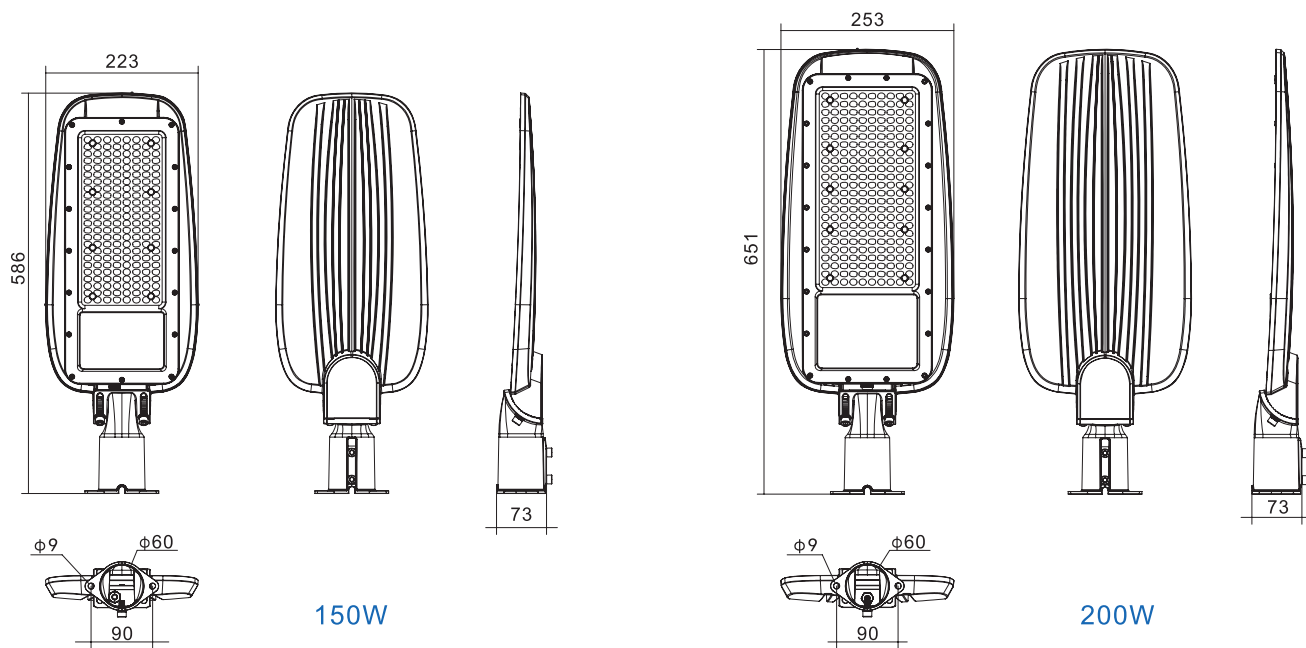
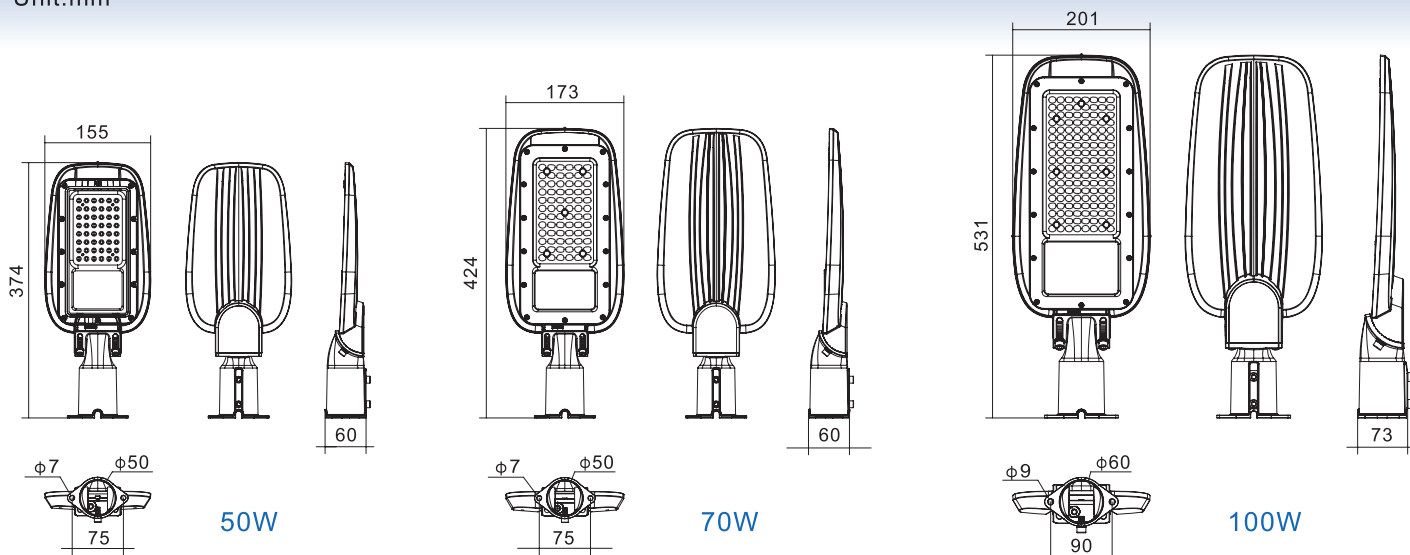


## MODELS



## DIAGRAMS

Unit:mm



## SPECIFICATIONS

Model	Power	LED Chip	Beam Angle	G.W	Case weight	MTN Size	Inner Box	Qty(pcs)
Adjustable Banana Leaf Series	50W	6*8pcs	82x140d	420g	540g	660*395*330mm	158*63*382mm	20
	70W	12*6pcs	82x140d	510g	690g	440*330*545mm	176*63*427mm	15
	100W	18*8pcs	82x140d	750g	980g	555*385*425mm	205*75*540mm	10
	150W	24*8pcs	82x140d	920g	1220g	605*310*470mm	226*75*595mm	8
	200W	10*24pcs	82x140d	1160g	1560g	680*395*275mm	260*75*664mm	5



Clear view

## FEATURES

1. Adapt to DOB/Linear LED lamp driver.
2. Made of ADC12 die-cast aluminum and integrated molding process. Aluminum material has high heat dissipation utilization rate.
3. 2835 high lumen SMD light source.
4. High thermal conductivity aluminum PCB can quickly dissipate the heat of the lamp chip. Maintain higher lumen maintenance rate of lamps.
5. The installation axis angle can be adjusted by 90/180°.
6. IP66 outdoor structural waterproof.

## INSTALLATION SUGGESTIONS

