

● PSL010

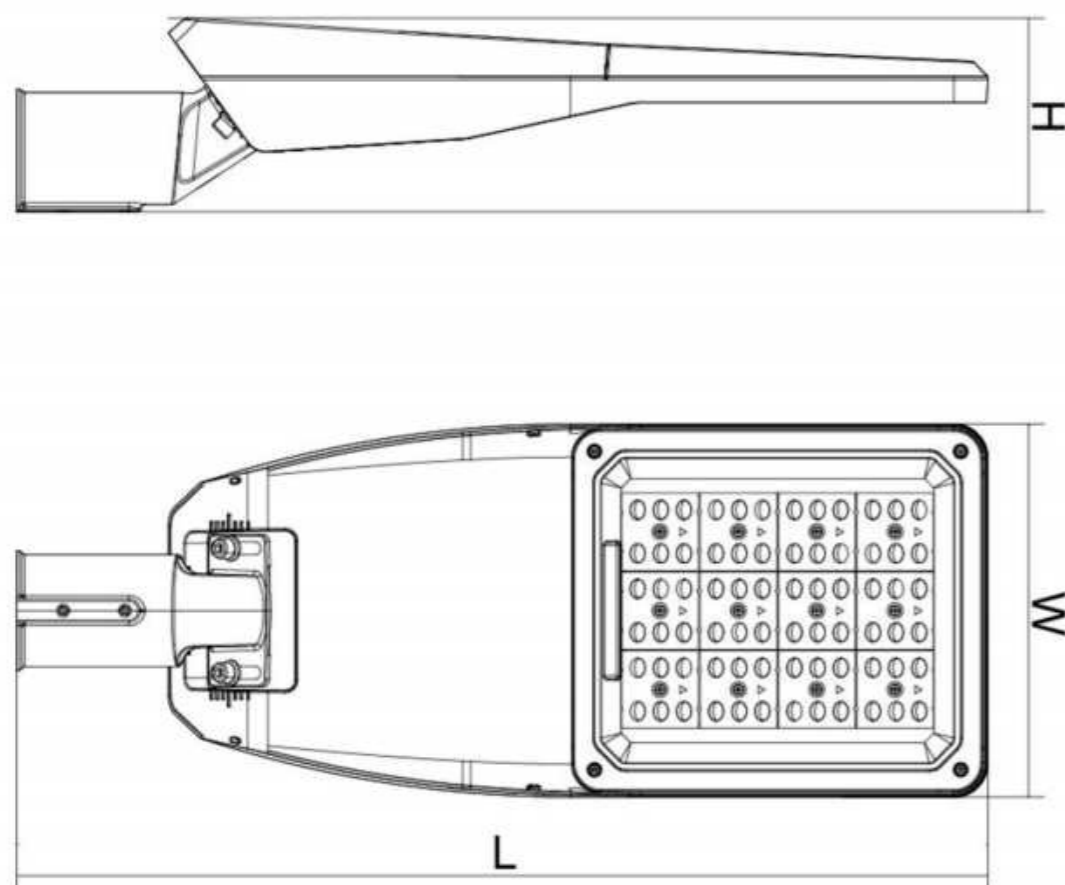


PRODUCT FEATURES

This LED road lamp offers high efficiency, energy savings, long lifespan, and excellent color rendering. It features low light decay and superior optical performance. The fixture adopts a light weight, modular design for easy installation and maintenance, while providing excellent heat dissipation and reliable waterproof and dustproof protection.

With a low operating voltage, strong impact resistance, and no flicker or start-up delay, the lamp ensures safe and stable performance. Its clean and modern appearance makes it ideal for a wide range of road lighting applications.

TECHNICAL SPECIFICATIONS



Product Size 产品尺寸	L	W	H
PSL010-A	524	200	124
PSL010-B	579	240	124
PSL010-C	630	240	124
PSL010-D	679	290	124
PSL010-E	789	315	126

Product Code 产品编号	PSL010-A	PSL010-B	PSL010-C	PSL010-D	PSL010-E
Lens Quantity 透镜数量	6PCS	9PCS	12PCS	16PCS	24PCS
LED	5050				
LED Quantity LED数量	36LED	54LED	72LED	96LED	144LED
Rated power 额定功率	80W	100W	150W	200W	280W
Color Temperature 色温	3000-7000K				
Luminous Flux 灯具光效	150-160LM/W				
Input Voltage 输入电压	AC90-305V				
Frequency Range 频率	50/60Hz				
Color Temperature 显色指数	> Ra70				
Temperature of working condition 工作环境温度	-40°C-50°C				
Humidity of working condition 工作环境湿度	20%-90%				
Installation Pipe Dia 安装管径	φ60mm				
Installation Height 安装高度	3-6m	6-8m	8-12m	8-12m	10-15m
Fixture Weight 空包净/毛重	/	/	/	/	/
Light Weight 成品净/毛重	/	/	/	/	/
Packing Size 包装尺寸	/	/	/	/	/

STRUCTURAL ANALYSIS

Bracket

Ensures long-term structural integrity and prevents deformation or collapse.

LED Driver

Protects LEDs from damage caused by current fluctuations.

Lightning Protection Module

Protect the equipment from lightning and power surges to ensure the stable and safe operation of the streetlight system.

Fastener

High-strength hardware for secure and stable assembly.

Die-cast Aluminum Housing

Chemically treated and polyester-coated for enhanced durability and corrosion resistance.

Power-Off Switch

Automatically cuts power during overloads or short circuits to prevent internal damage.



Efficient LED

Uses high-brightness LED chips with excellent luminous efficacy and longevity. Lens ensures uniform light distribution.

Reflector Panel

Made of UV-stable, heat-resistant transparent polymer for durability and clarity.

Simple Installation

Plug-and-play wiring design allows quick and secure installation.

- Thermoelectric separation extends fixture lifespan.
- Automatic power-off when back cover is opened.
- Detachable back cover for easy access.
- Tool-free maintenance design.

INSTALLATION METHOD

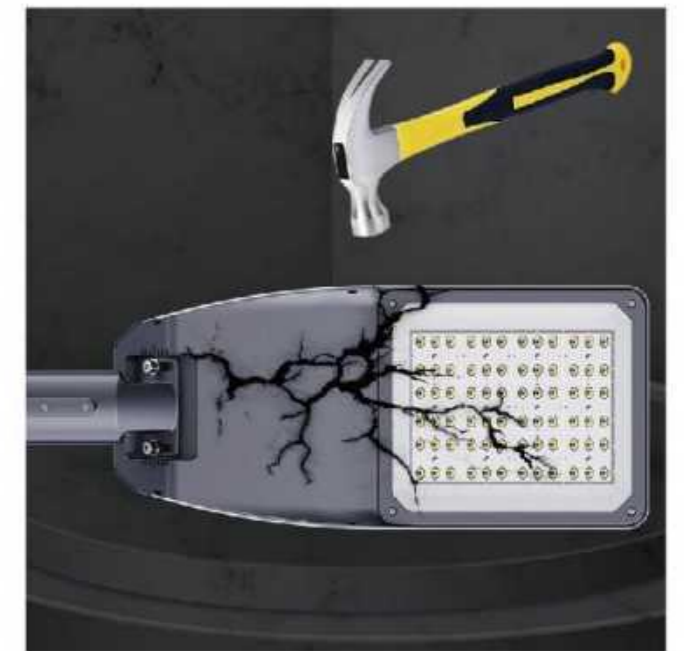
Fixtures support both horizontal and vertical mounting, with adjustable angles to suit different lighting applications.



IP66 RATED



IK09 RATED



PRODUCT STRUCTURE



Lamp Controller

- Automatically adjusts brightness based on ambient light or preset schedules for energy-efficient, comfortable lighting.
- One-click switching between lighting modes for diverse needs.
- Optional built-in sensors: GPS, tilt, power outage



Outdoor Waterproof Gateway

- Supports 4G SIM or Ethernet for network access, with optional built-in Wi-Fi and GPS.
- Compatible with 4G/5G, Wi-Fi, Ethernet, LoRa, etc. for flexible communication.
- Long-range transmission for open environments.



Single Lamp Controller

- Compatible with Zhaga Book 18 interfaces and DALI-2/D4i/SR dimming drivers.
- Programmable lighting schedules.
- Supports Zigbee, LoRaWAN, LoRa Mesh, etc.
- Optional GPS integration.



Optical Elements

- Uses lenses and mirrors to focus or diffuse light for clear, real, or virtual images.
- Prisms and gratings adjust direction and intensity, enabling beam steering and light shaping.
- Modulators control color, polarization, and phase.



Efficient LED Driver

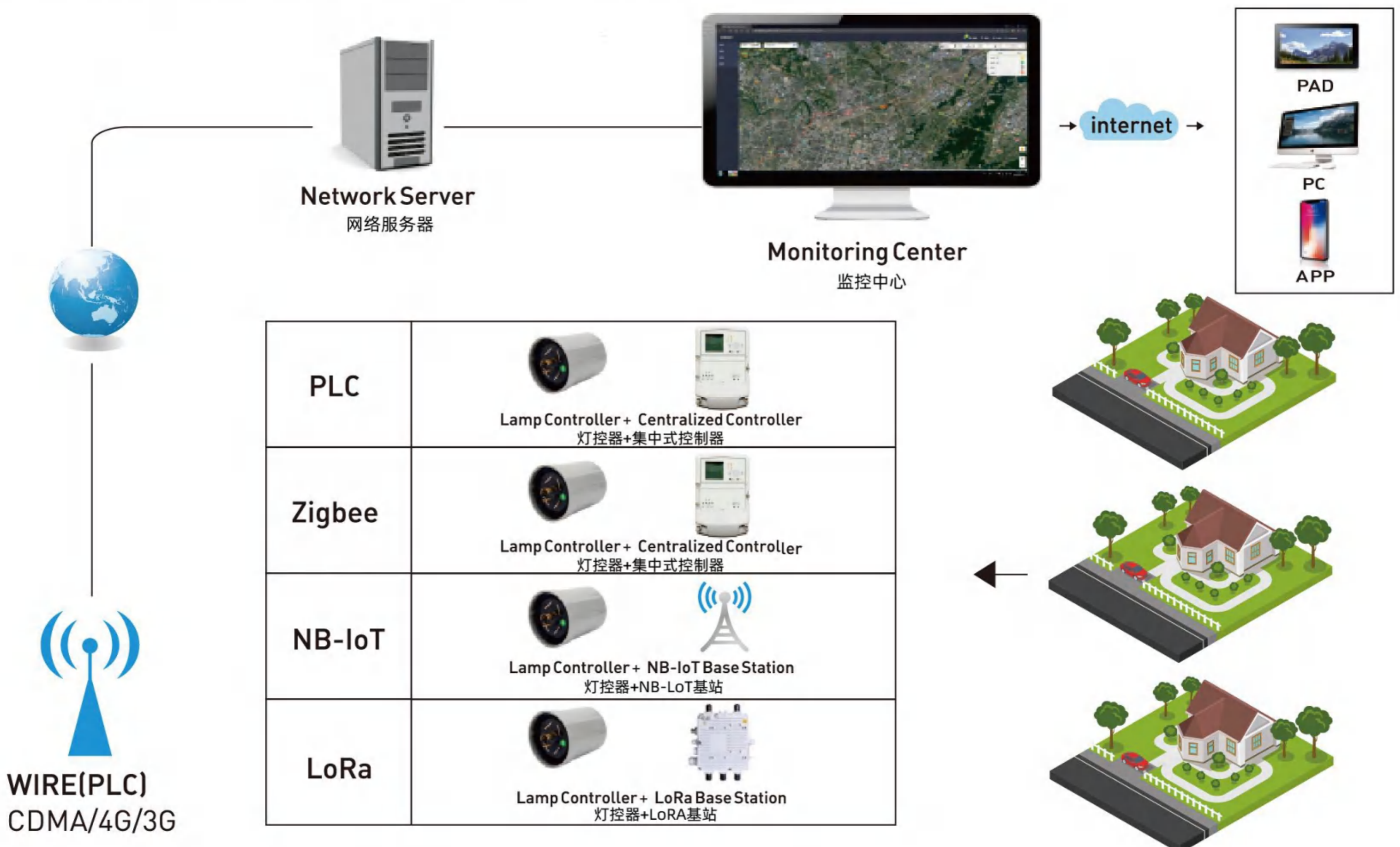
- Converts power input into optimal output for LED street lights.
- Reduces energy loss and improves efficiency.
- Overvoltage protection automatically shuts off power to avoid damage.
- Maintains brightness and avoids dimming from current fluctuations.



High-Efficiency LED

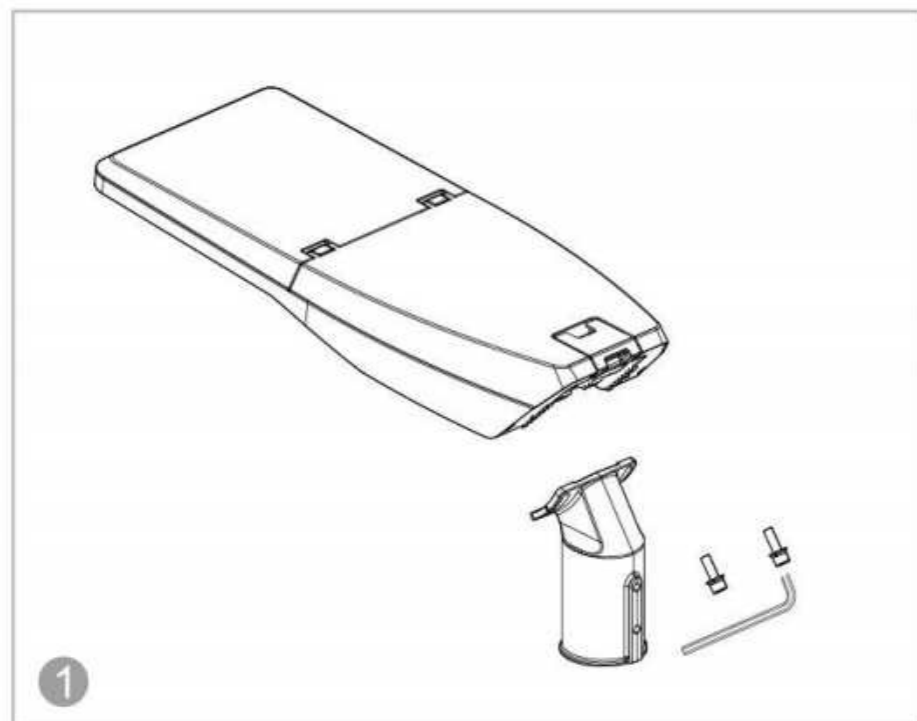
- Meets international efficiency and longevity standards.
- Lenses ensure uniform light distribution.
- Solid-state design, durable and flicker-free.
- High CRI and multiple color temperature options.

SMART STREET LIGHTING CONTROL SYSTEM

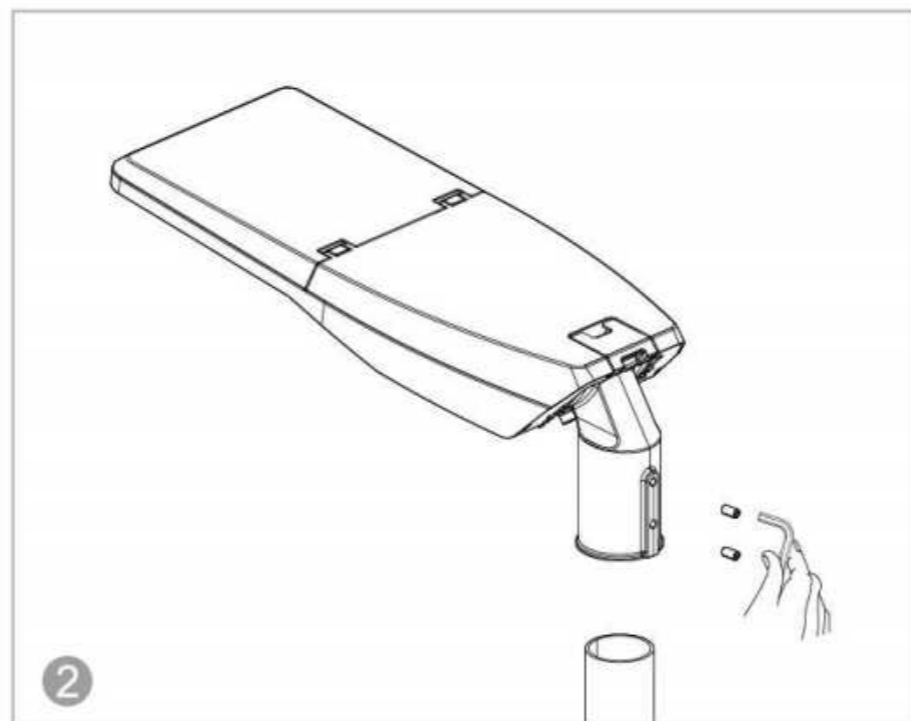


INSTALLATION STEPS

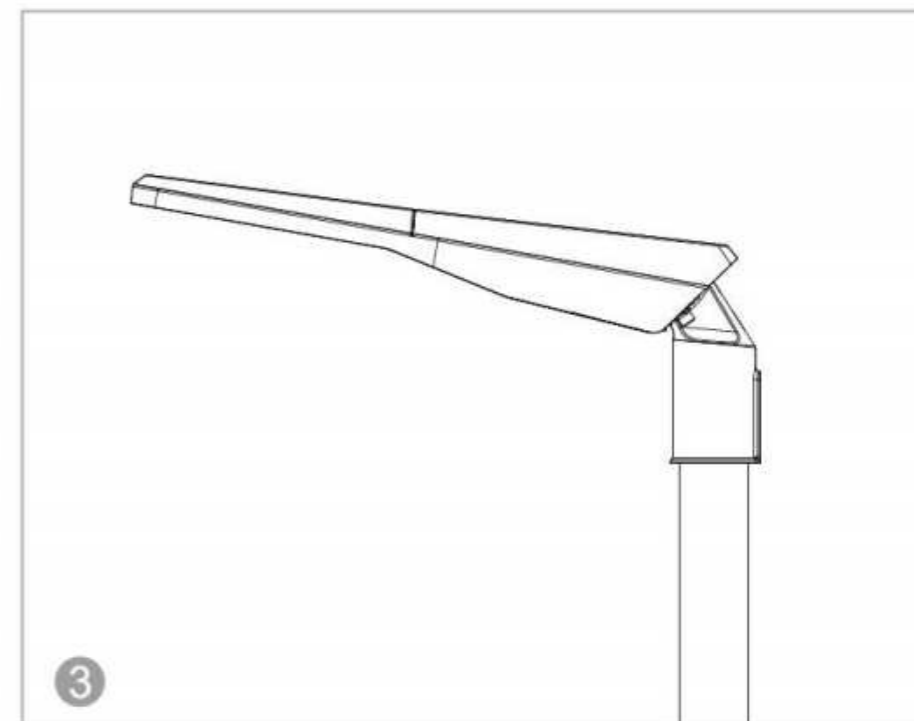
Steps for Vertical Installation



1
Loosen the adjusting screw, adjust the angle, and after adjusting the angle, use a hex wrench to tighten the adjusting screw.

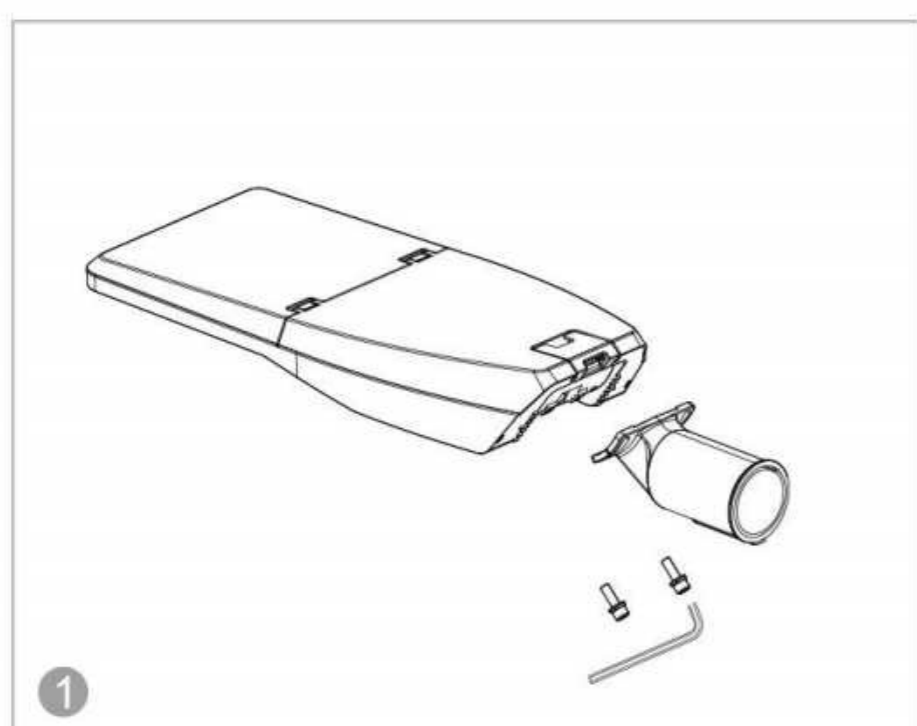


2
Align the lamp with the lamp pole and insert it, and fix it with hexagon wrench and hexagon socket bolt.

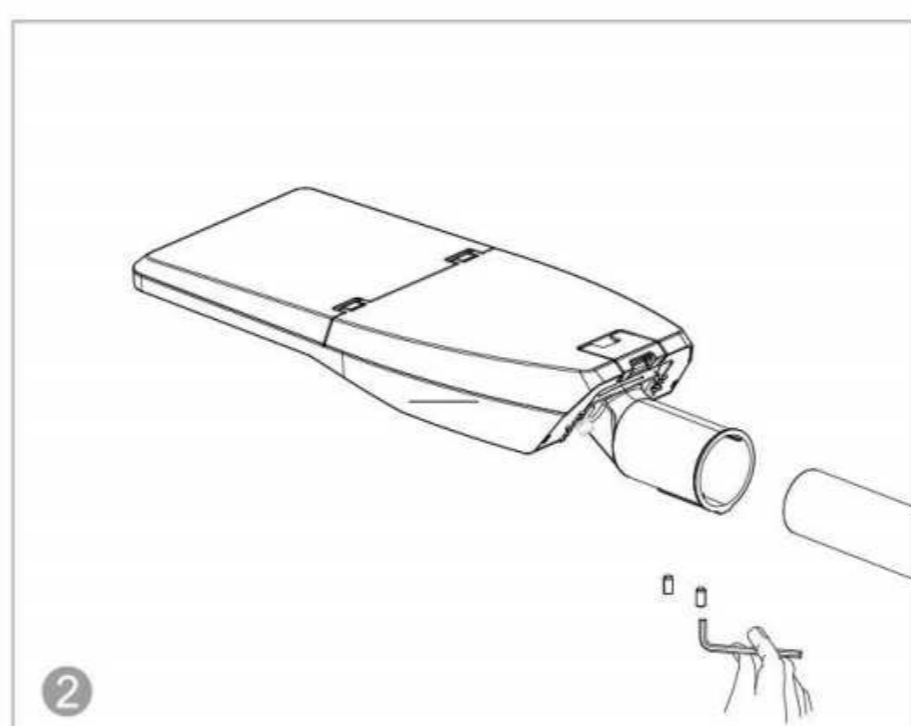


3
The effect of lamps after installation

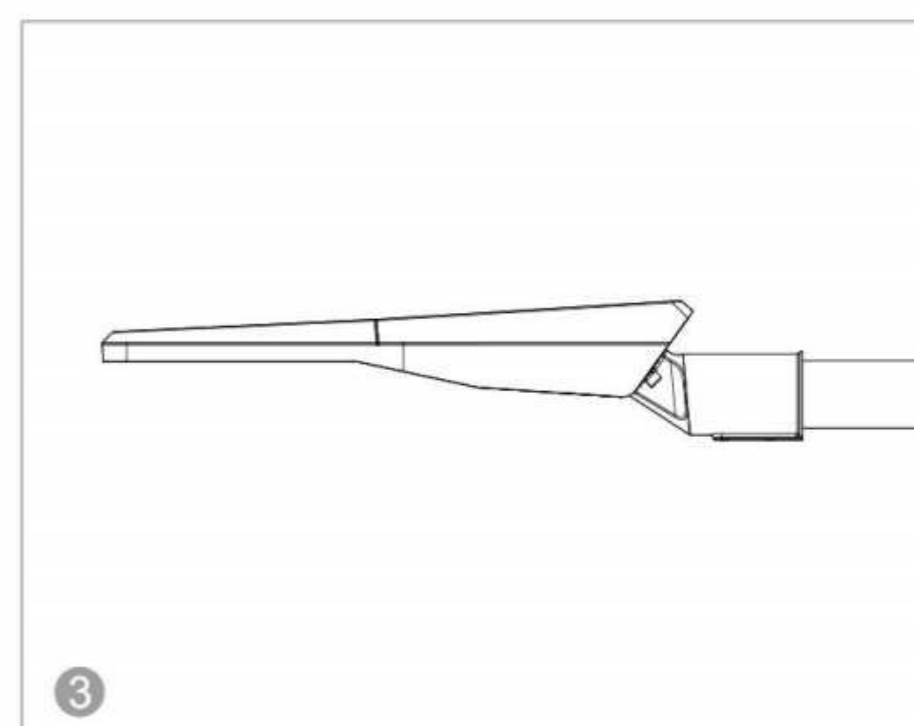
Steps for Horizontal Installation



1
Loosen the adjusting screw, adjust the angle, and after adjusting the angle, use a hex wrench to tighten the adjusting screw.



2
Align the lamp with the lamp pole and insert it, and fix it with hexagon wrench and hexagon socket bolt.



3
The effect of lamps after installation

PRODUCT RENDERING

