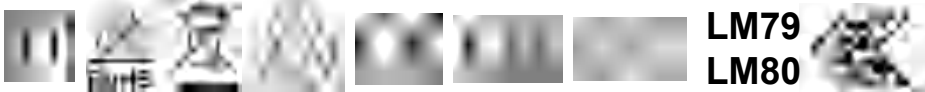


PTG002 LED Flood Light



| | | | | | | | |
|--------------|--------------|-------------|-------------|-----------------|--------------------------|--------------------|-----------------|
| ≥0.95 | 70 Ra | IP66 | IK09 | 6KV/10KV | ≥50000 Hrs | AC 100-277V | 47-63Hz |
| Power Factor | CRI | IP Level | IK Level | Surge Voltage | TM-21 (L ₇₀) | Input Voltage | Power Frequency |



LM79
LM80

ISO9001

■ Matters needing attention

- Before installing the lighting fixtures, please read this instruction manual carefully.
- The lighting fixtures should be installed, connected and tested by a certified electrician based on the local regulations.
- Lamps should always be installed or replaced carefully.
- Please check the local voltage in accordance with the product requirements before installation.
- Revamping only can be done when the power is off and the lamp is completely cooled down.
- When clean the lamp, make the power off and let it cool down completely, clean the fixture with a soft cloth and a standard PH neutral detergent, stainless steel should be maintained regularly.
- Don't cover the fixtures with flammable materials.
- Replace should be made by the manufacturer or his service agent or certified electrician in order to avoid a hazard.

■ Temperature Characteristics T-ambient 25°C

Temperature

Operating -20~+45°C

Storage -40~+60°C

■ Electrical Characteristics

Input Voltage:AC100-277V

50/60Hz PF:>0.9

Power Efficiency:≥0.90

1.Features

- IP66 waterproof/dust proof/explosion proof/IK09
- Pure Aluminum shape good at heat dissipation
- Angle Bracket,easy to install by drill
- Easy replacement and installation
- Philips SMD 3030 Ra>70/SDCM<6
- 100,000 times switching cycle before failure
- Total harmonic distortion(THD)<10%

2.Application

COMMERCIAL LIGHTING

Tunnel
Supermarkets
Large retailers
School
Billboard
Building
etc.

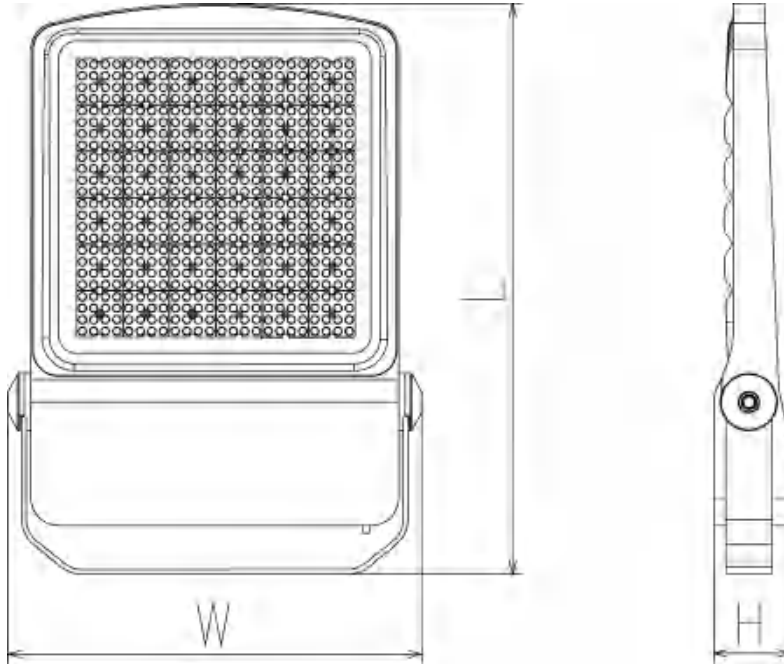
PUBLIC LIGHTING

Tunnel
Airports
Stadium
Train stations
Bus stations
etc.

INDUSTRIAL LIGHTING

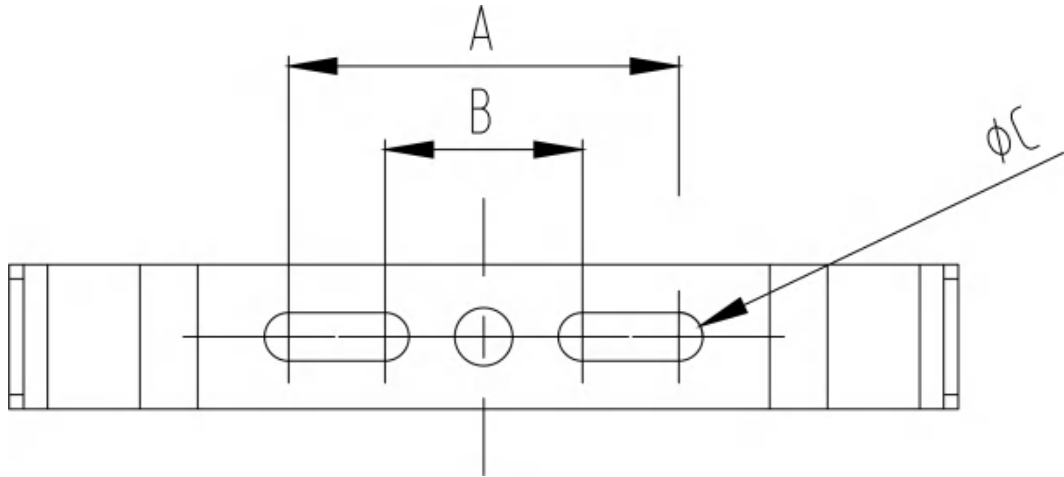
Manufacture Warehouses
Parking lots
Exhibition centers
Gas stations
Toll stations etc.

3.Product Dimension



| Model NO. | Size L(mm) | Size W(mm) | Size H(mm) |
|------------|------------|------------|------------|
| PTG002-13 | 230 | 270 | 50 |
| PTG002-15 | 320 | 224 | 50 |
| PTG002-110 | 422 | 291 | 62 |
| PTG002-120 | 520 | 342 | 65 |
| PTG002-140 | 620 | 450 | 84 |
| PTG002-180 | 779 | 594 | 85 |

Mounting hole size



| Model NO. | Size A(mm) | Size B(mm) | Size C(mm) |
|------------|------------|------------|------------|
| PTG002-13 | 81 | 41 | 10 |
| PTG002-15 | 81 | 41 | 10 |
| PTG002-110 | 118 | 78 | 10 |
| PTG002-120 | 170 | 130 | 10 |
| PTG002-140 | 169.5 | 129.5 | 10 |
| PTG002-180 | 260 | 180 | 12.2 |

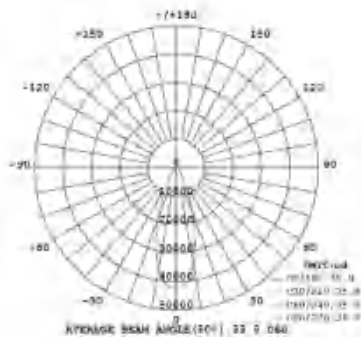
4.Parameter

| Model NO. | Power (W) | Light Source | LED QTY (PCS) | Lens (PCS) | CCT (K) | Lumen (lm/W) | CRI |
|-------------|-----------|--------------|---------------|------------|---------|--------------|-----|
| PTG002-30W | 30 | 3030 (5050) | 48/12 | 2 | 4000k | 130/140 | >70 |
| PTG002-50W | 50 | 3030 (5050) | 64/24 | 4 | 4000k | 130/140 | >70 |
| PTG002-100W | 100 | 3030 (5050) | 144/54 | 9 | 4000k | 130/140 | >70 |
| PTG002-150W | 150 | 3030 (5050) | 144/54 | 9 | 4000k | 110/130 | >70 |
| PTG002-200W | 200 | 3030 (5050) | 256/96 | 16 | 4000k | 130/140 | >70 |
| PTG002-300W | 300 | 3030 (5050) | 432/144 | 36 | 4000k | 130/140 | >70 |
| PTG002-400W | 400 | 3030 (5050) | 576/216 | 36 | 4000k | 130/140 | >70 |
| PTG002-600W | 600 | 3030 (5050) | 768/256 | 64 | 4000K | 135/145 | >70 |
| PTG002-800W | 800 | 3030 (5050) | 1024/384 | 64 | 4000K | 135/145 | >70 |

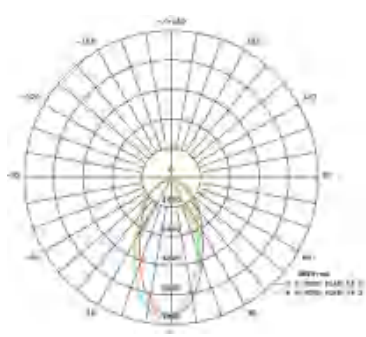
ErP Technical Specification

| Item | Symbol | specification/Data |
|--------------------------------|--------|--------------------|
| Color Index | CRI | Ra>70, R9>0 |
| Luminous Efficacy | lm/W | 130lm/w |
| Energy efficiency Class | / | A++ |
| Color consistency in level | / | Max. 6SDCM |
| THD | / | <15% |
| Starting Time | S | <0.5S |
| Switching cycle before failure | / | >100,000times |
| Premature failure rate@1000h | / | 0 |
| Lifespan | H | >50000Hrs |

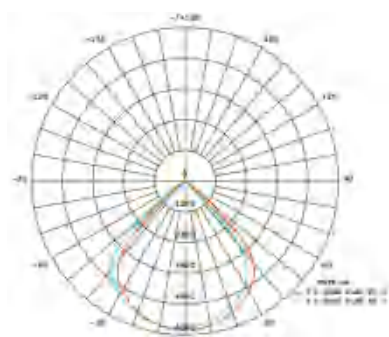
Light distribution curve selection



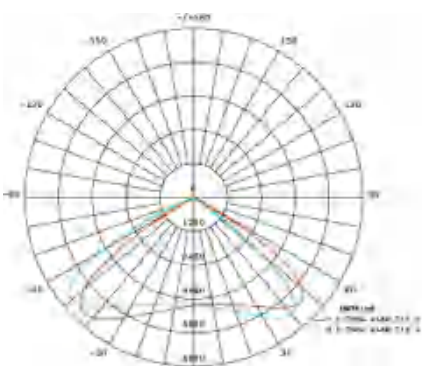
30°



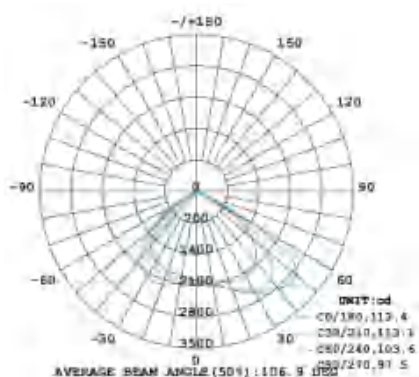
60°



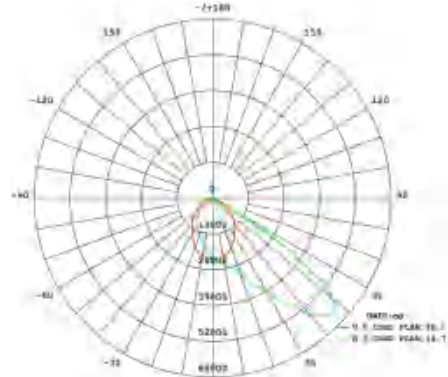
90°



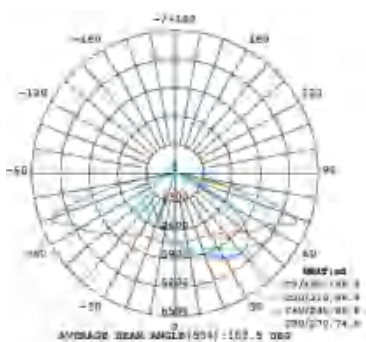
120°



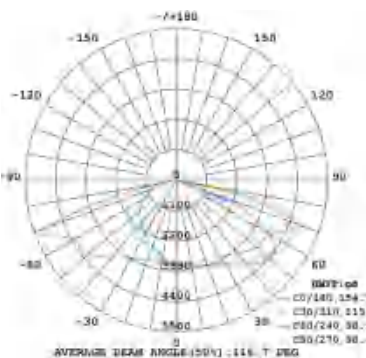
113° X 97°



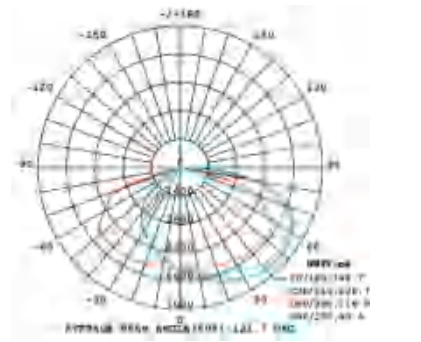
P50°



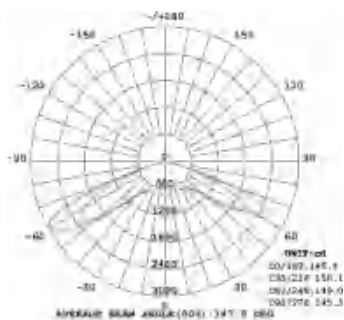
T II-M



T III-M

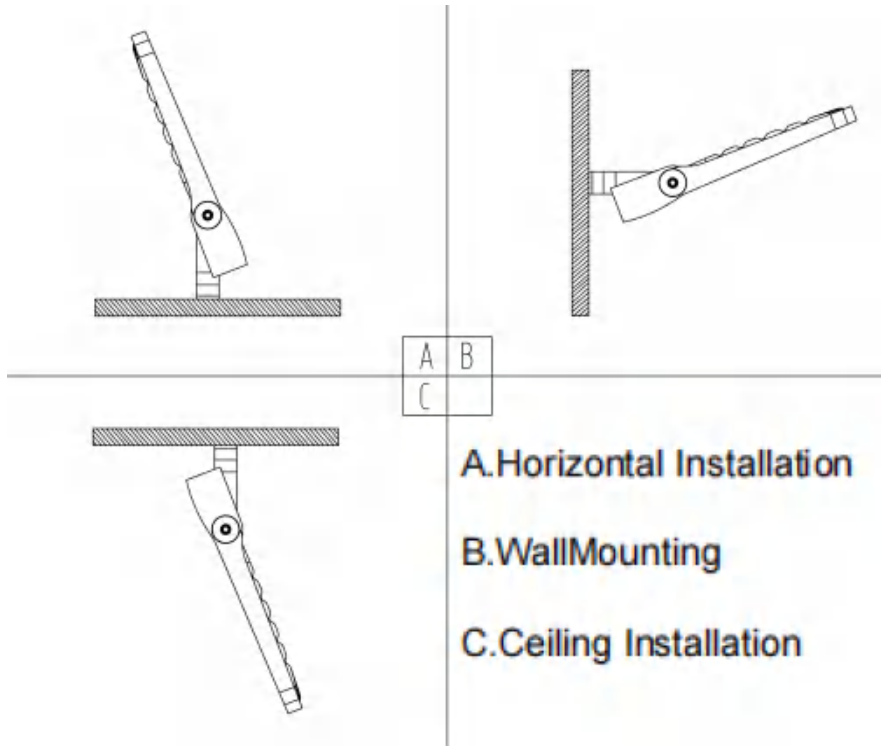


T IV-M

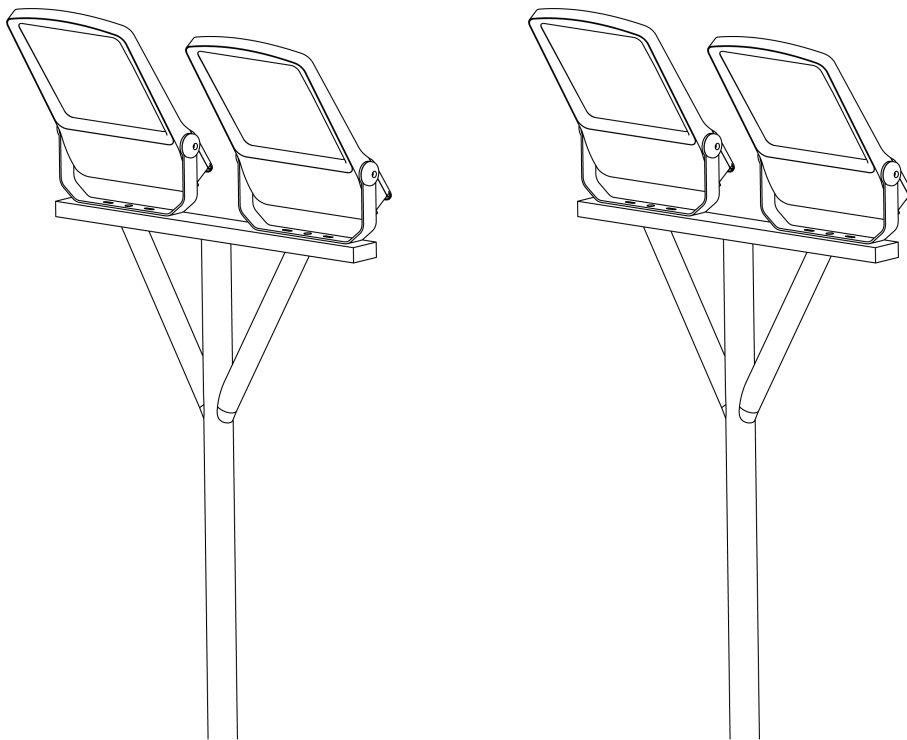


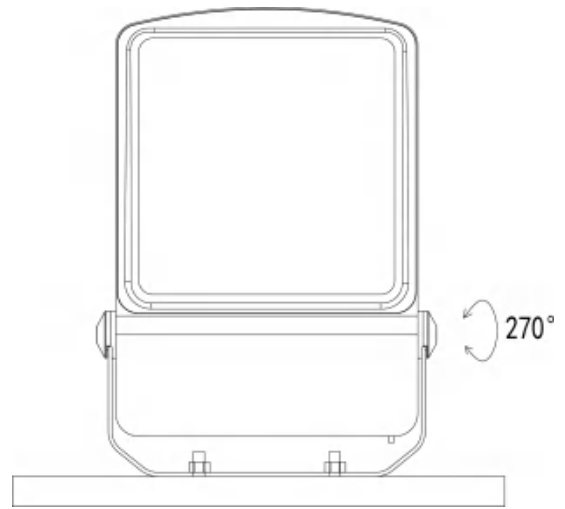
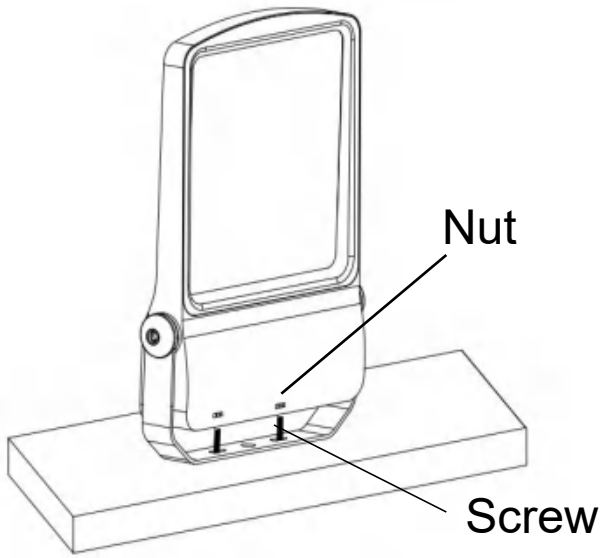
T V

5.Installation

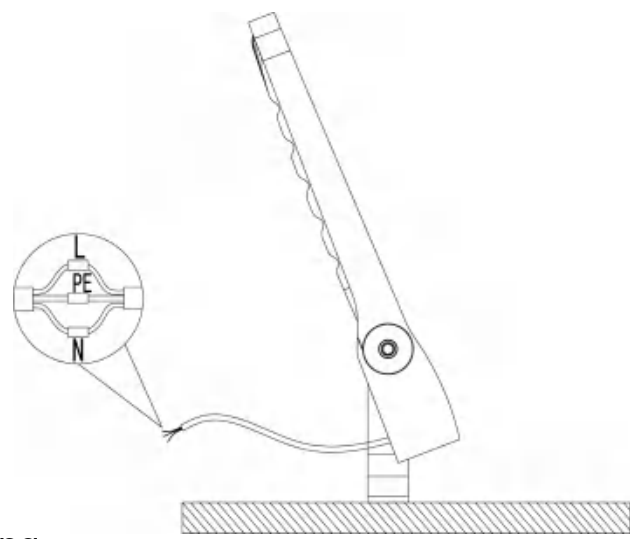


For Example





- A. Place the lamp in the corresponding mounting position, align the mounting hole, insert the screw,
- B. Tighten the screw with a wrench and adjust the light in gangle
- C. Connect input cord and keep waterproof.
- D. When finish above A, B, and C, pls turn on for test,



If light isn't turn on, pls check the related wiring.
If it is still not resolved,
contact your local sales agent.