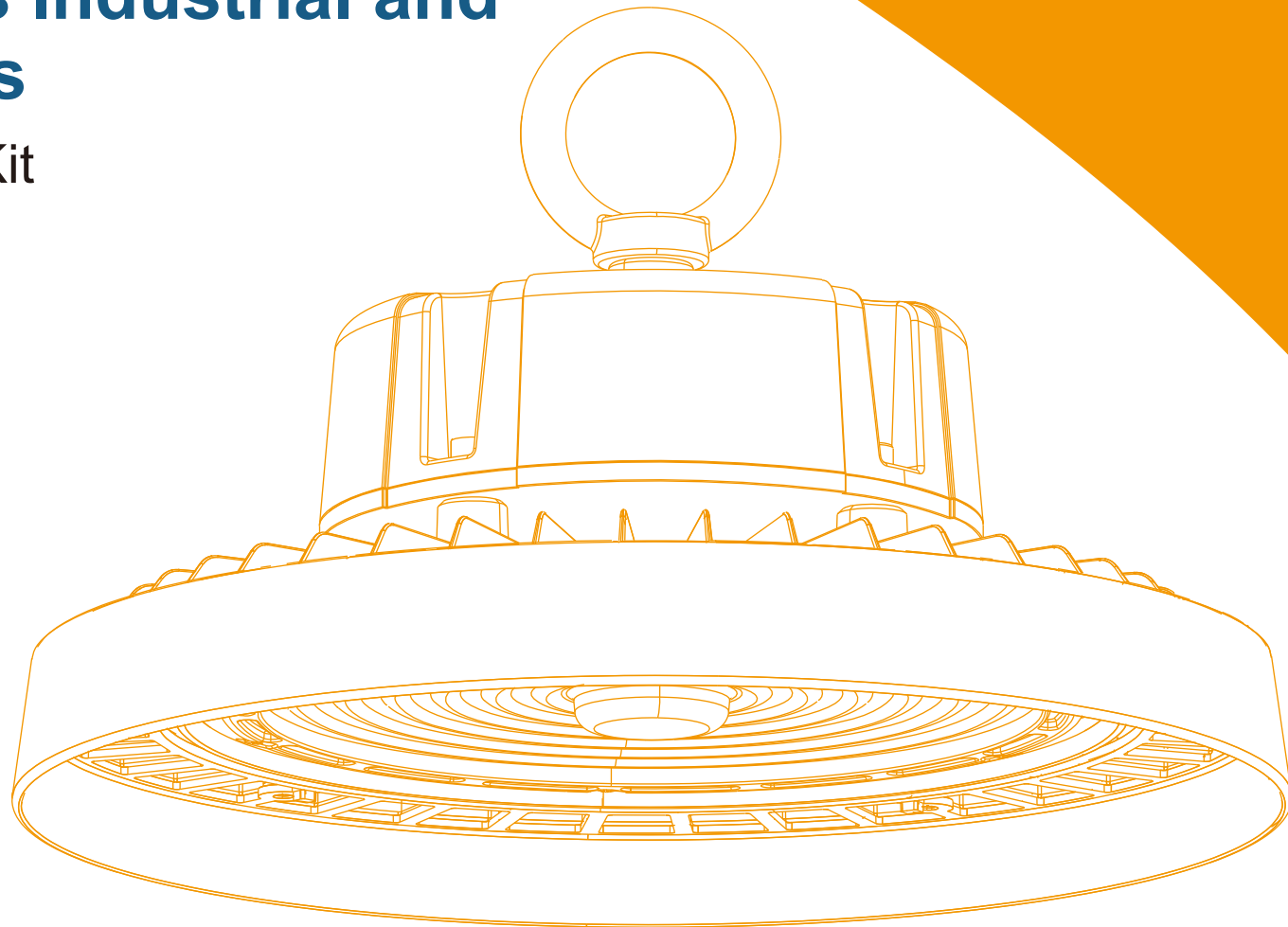


UFO-J Series Industrial and Mining Lights

100W Enclosure Kit



Product Name: UFO J Series Industrial and Mining Lights
Specification Model: 100W
Release Date: May 12, 2023

LIST OF CONTENTS

Product parameters -----	1
Product photo -----	2
Product explosion diagram -----	6
Finished product size drawing -----	7
Heat sink dimension drawing -----	8
Lens size diagram -----	9
Aluminum substrate size diagram -----	10
Temperature Rise Test Report -----	11
Temperature rise curve -----	12
Packaging method -----	13

Material and surface treatment

Radiator	Aluminum alloy
Lens	Polycarbonate material
Shutter hood	Polycarbonate material (with integrated lens)
Surface treatment	Electrostatic powder coating
Standard color	RAL9017 black
IP protection rating	IP66
IK protection grade	IK09

Optical parameters

Lamp bead model	SMD2835
Lighting layout	60° / 90° / 120°
Recommended installation height	4m to 12m
Color tolerance	/
	/
Color temperature	/
Color Rendering Index	/
Upward light output ratio	/

LED lifespan @ TQ 25°C

Configuration	
L70B10	/
L80B10	/
Switch cycle	/

Working conditions

Temperature range	-30°Cto +45°C
Humidity range	10-90%RH
Installation Options	Lifting and hoisting
	/
Warranty	/

Certification information

Does it include a power supply	/
Has it obtained CE certification	/
Has it obtained RoHS certification	/
Has it obtained the SAA certification	/
Safety	/
Testing standards	/

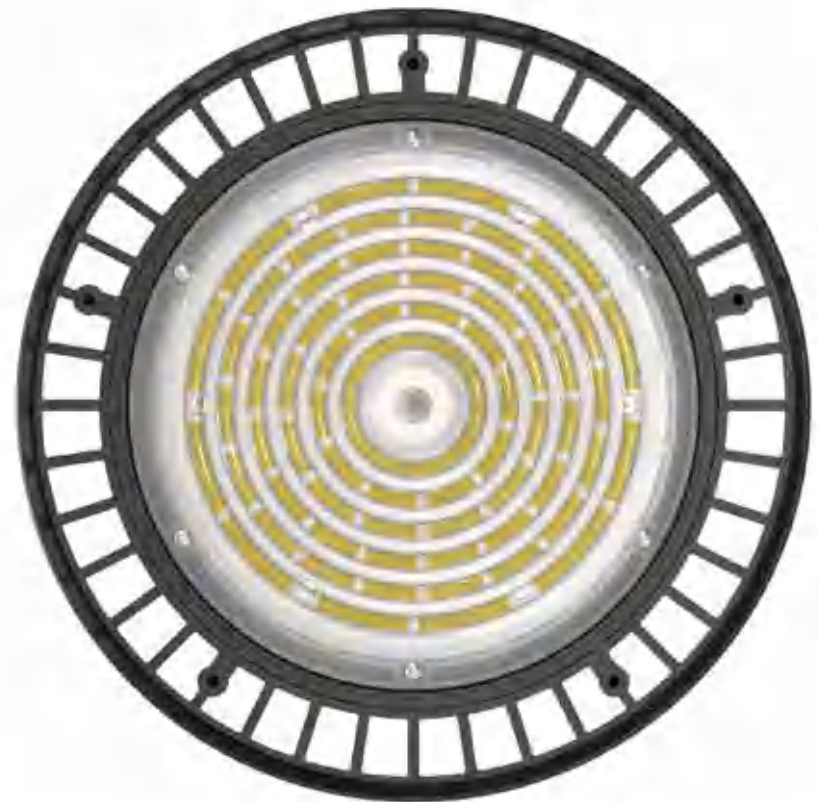
Performance

Power	100W
Lighting efficiency	160lm/W~180lm/W
Power supply efficiency	/
Start-up time	/
Time to reach 60% of the lamp's power	/

Electrical parameters

Electrical category	/
Rated voltage	/
Power factor (at full load)	/
Lightning protection level	/
Electromagnetic compatibility	/
Control protocol	/
Total harmonic distortion	/
Power supply type	/

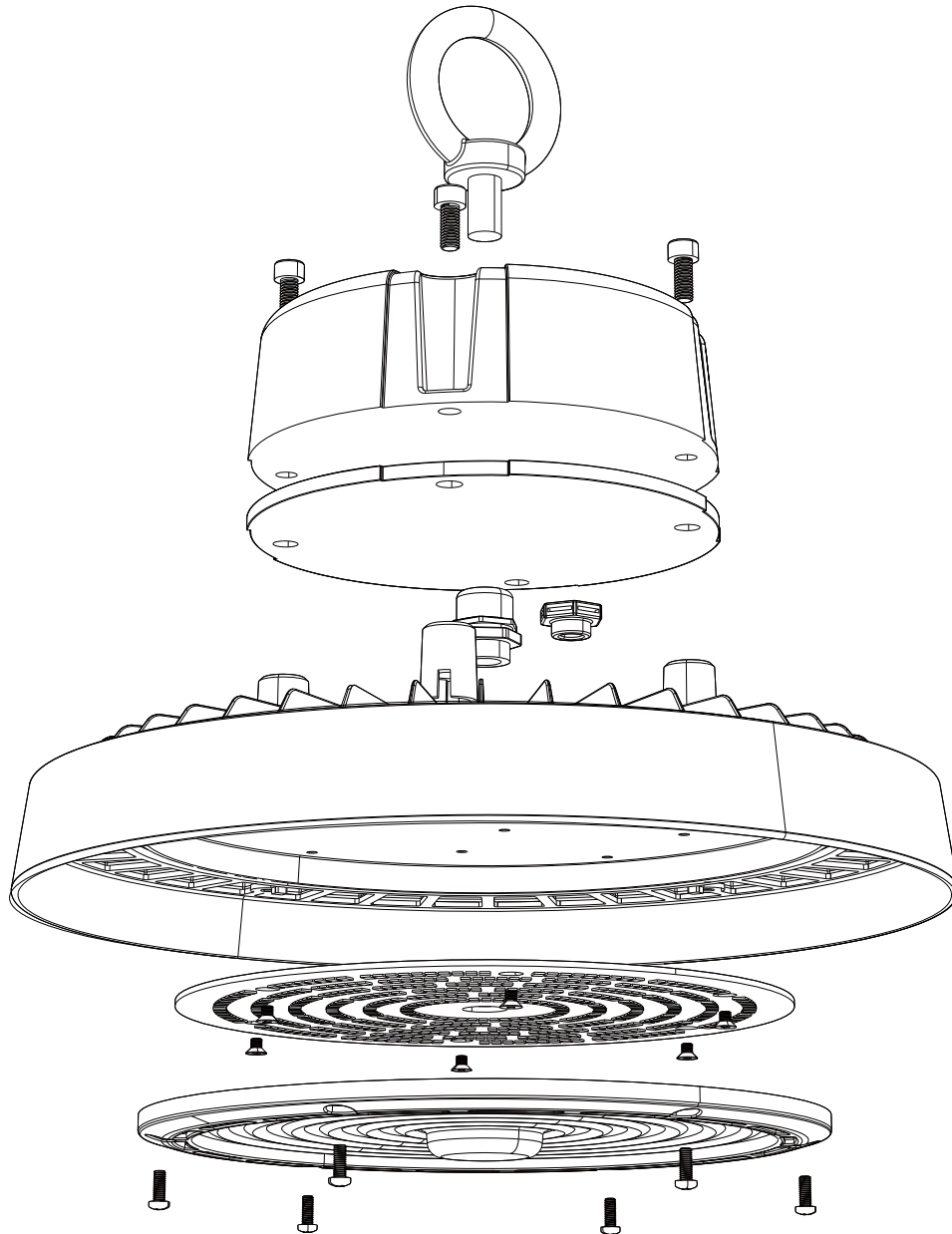








Unit: mm



Hook × 1

Power box screws × 4

Respirator x1
Threaded nut x1
Screw column x4

Heat dissipation main body × 1

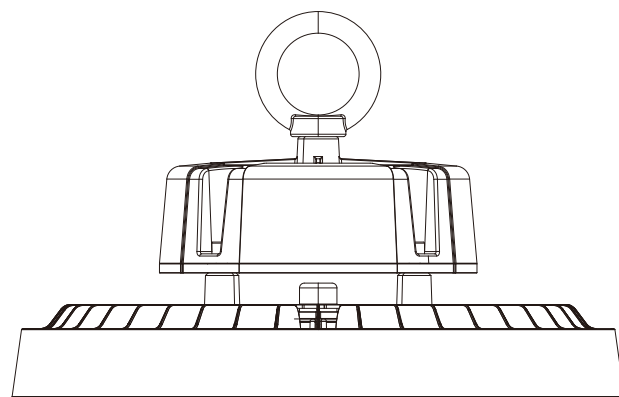
Aluminum substrate × 1

Lens × 1

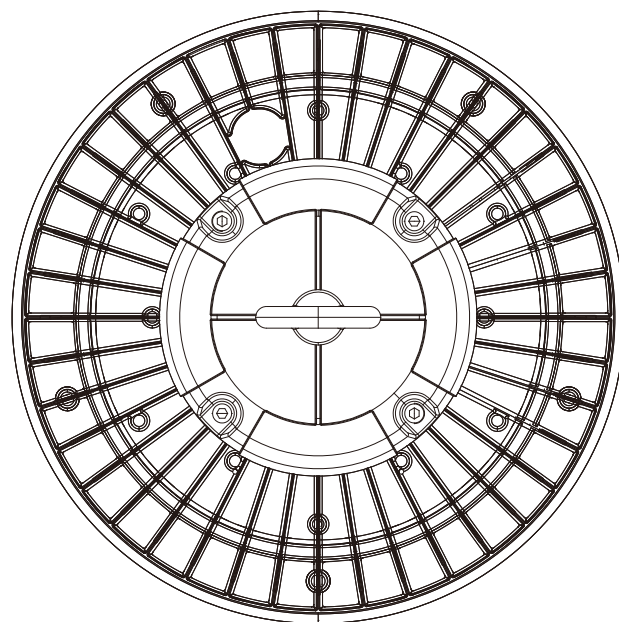
Lens screws × 6

Aluminum substrate screws × 6

Unit: mm

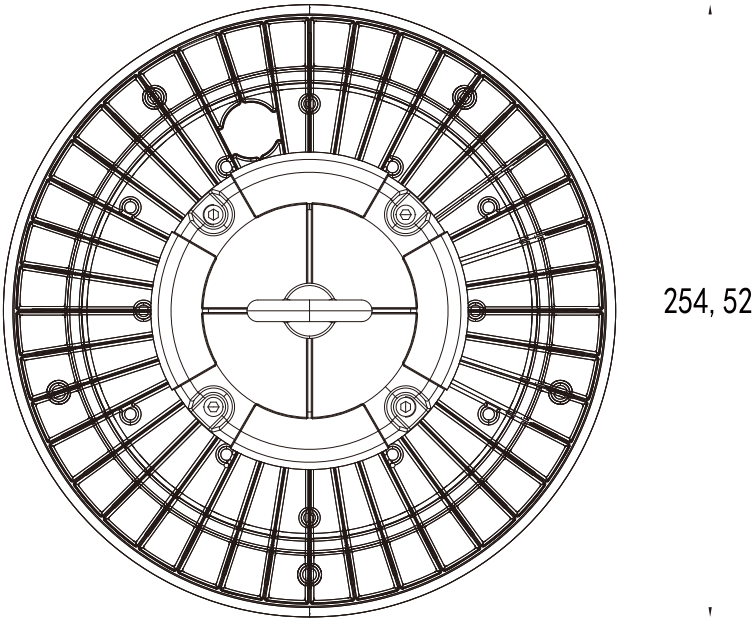
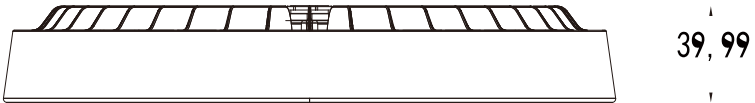


161,78

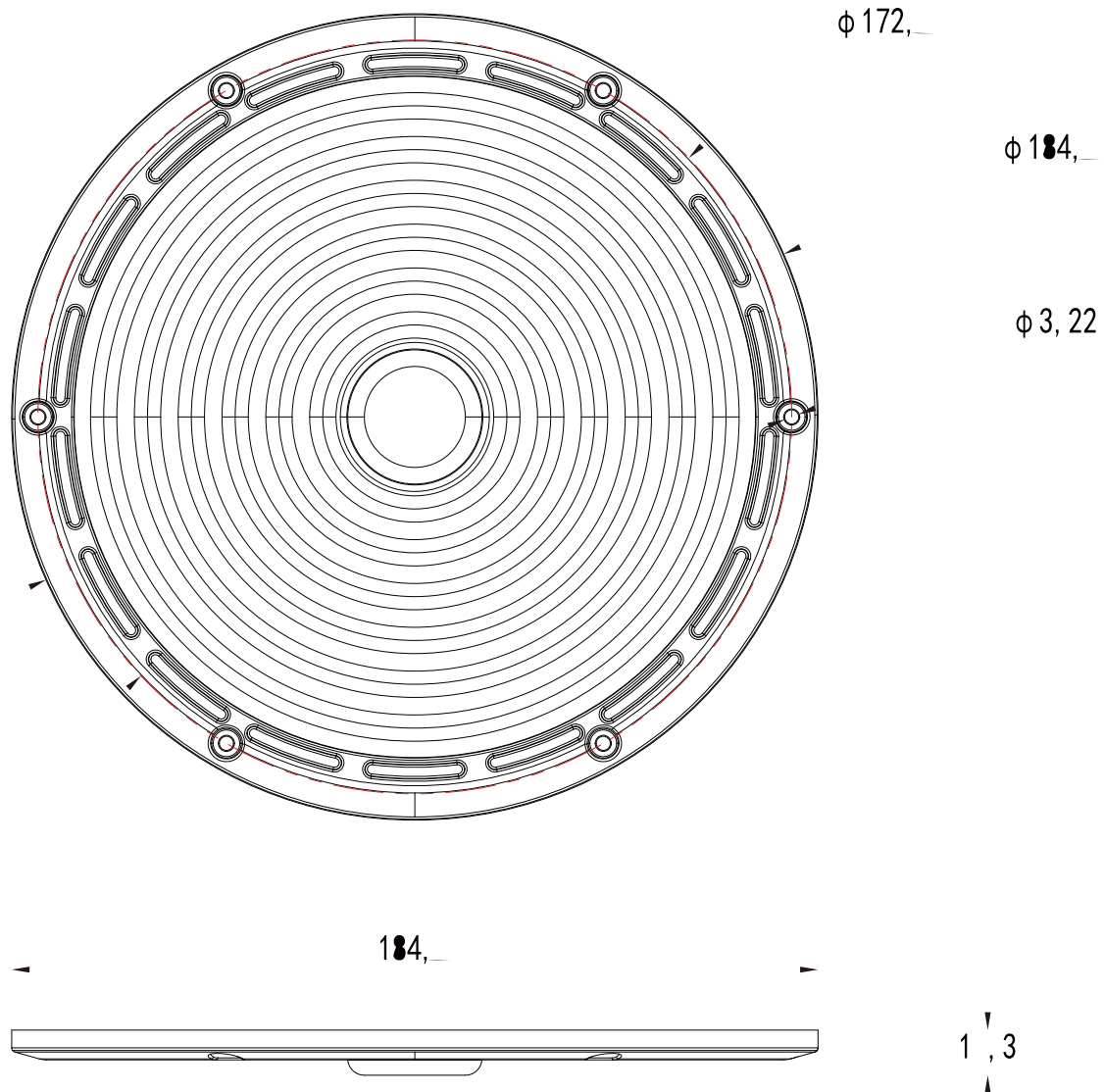


254,52

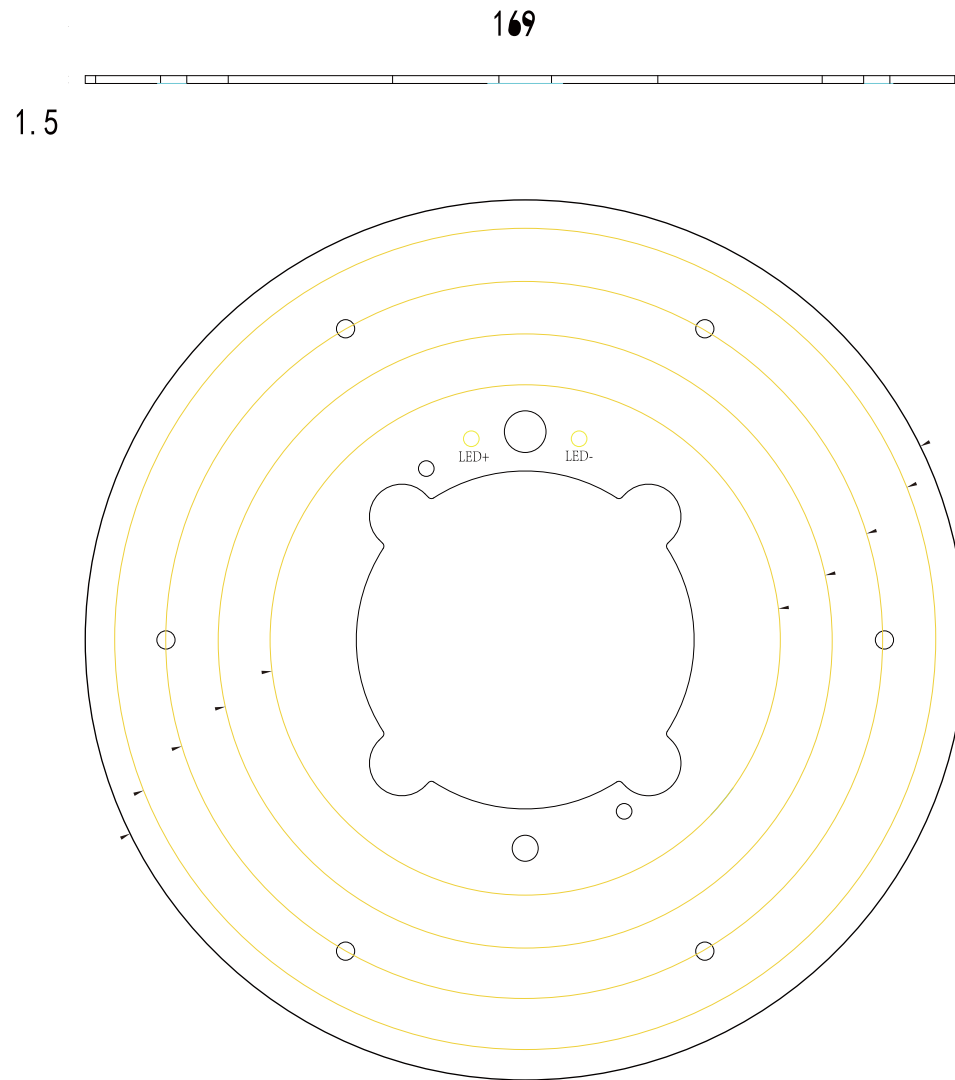
Unit: mm



Unit: mm



Sensor model
Unit: mm



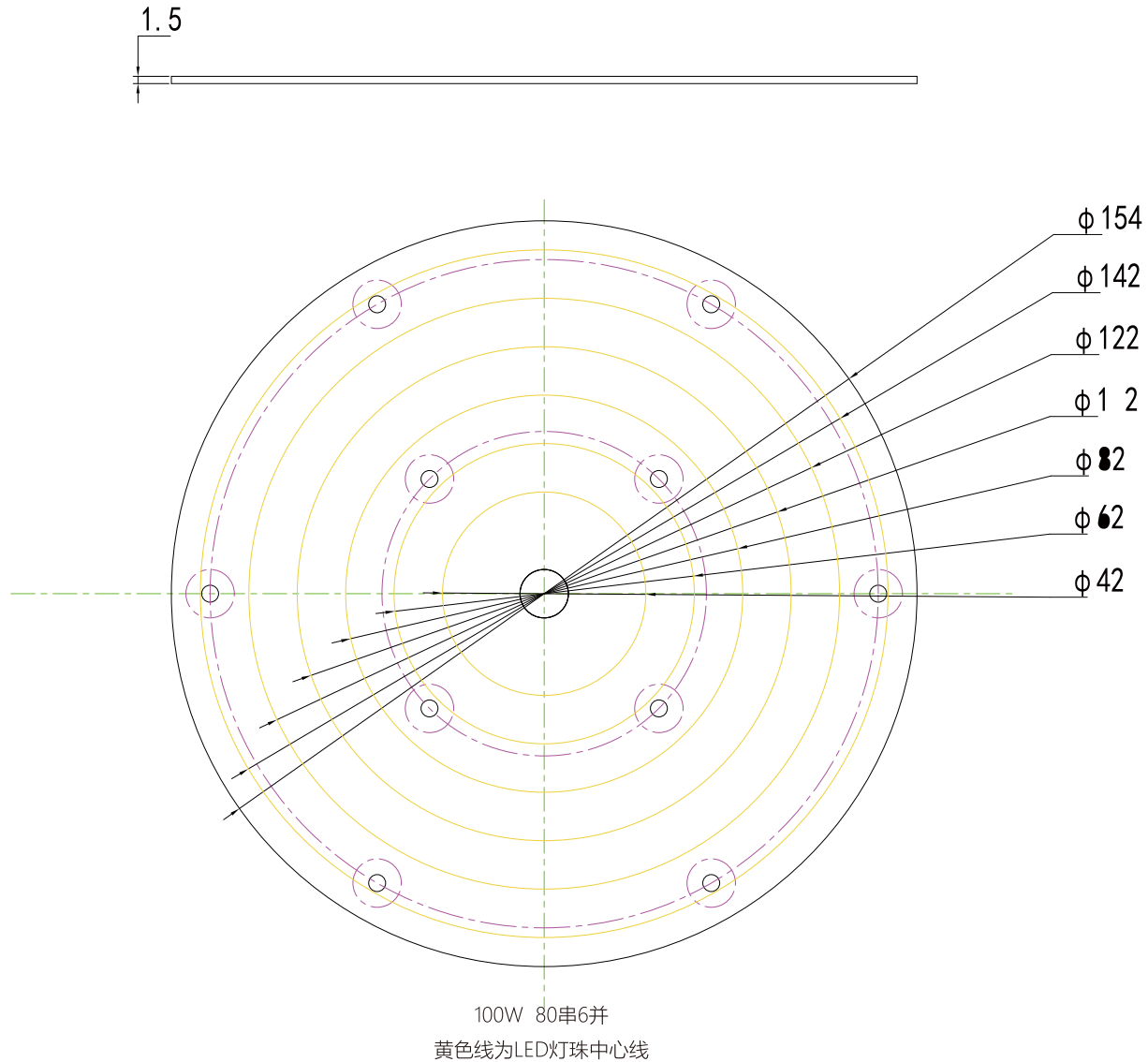
- φ 169
- φ 158
- φ 138
- φ 118
- φ 98

100W-UFO184-2835-42S4P

High-efficiency model

Unit: mm

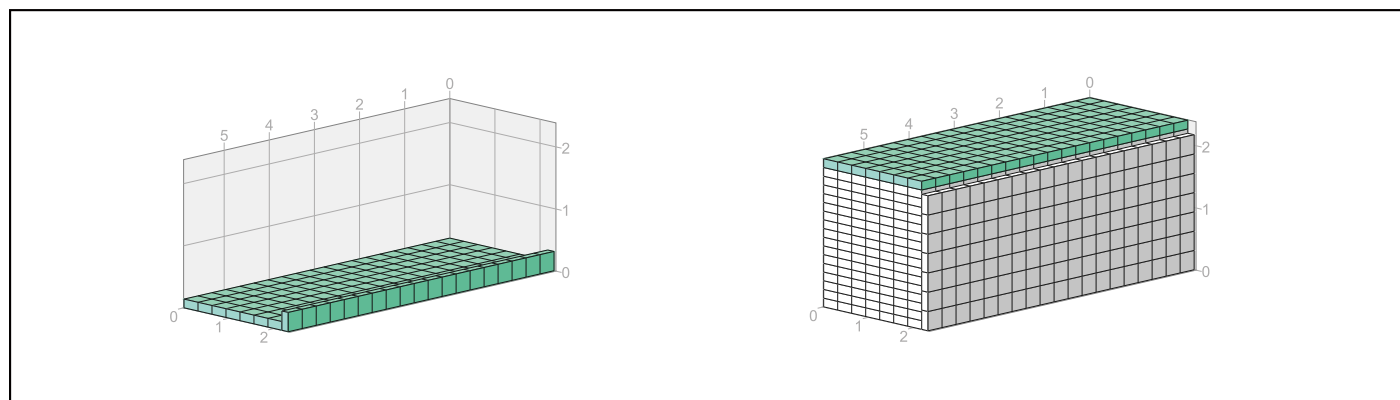
The holes in the aluminum substrate are blind holes.



Power	Package size	Quantity / Box	Single-piece volume m ³	Weight(g)	Gross weight(g)	A 20-foot small cabinet	40 feet
100W	L310*W310*H140 (mm)	1PCS/CTN	0.0134m ³	550g	0g	2394pcs	4837pcs

The packing information is for reference only. The actual packing will be determined by the shipment.

2394PCS
100W/20ft



4837PCS
100W/40ft

