

# PTG004C Dongfeng 1 Type Frame Ceiling Light



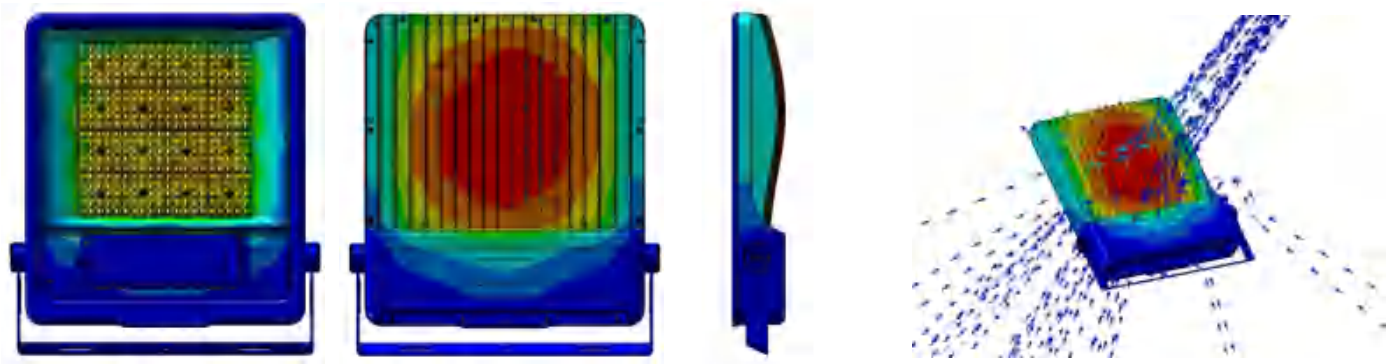
30W / 50W / 100W / 150W / 200W / 300W / 400W / 600W

## Product Overview



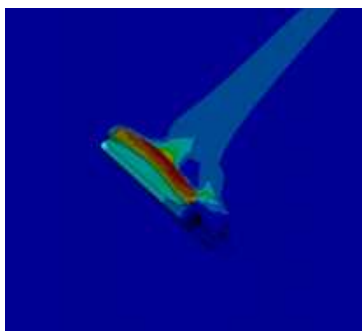
### Thermal control technology

By adopting advanced finite element analysis technology, the heat dissipation structure design of the product has been optimized. The temperature rise of the lamp is well controlled, with a small temperature difference between the inside and outside, uniform heat dispersion, and a high maintenance rate of luminous flux.

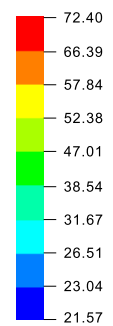
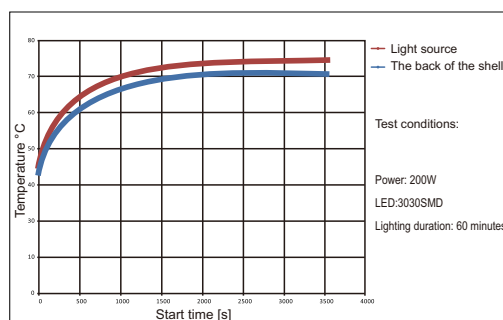


Conduction heat dissipation schematic diagram

The impact of lamp heat on the air



The impact of lamp heat on the air



Unit: °C

## Decomposition diagram

ADC12 die-cast aluminum housing, with a heat dissipation efficiency of 96W/M.K

High thermal conductivity aluminum substrate

High lumen 3030/5050 surface mount light source

Ultraviolet-resistant optical lens

Thickened iron support frame

Scales gear

Heat dissipation breathing valve

Waterproof cap head

High-end waterproof power supply

Nano PC reflective sheet

UV-resistant waterproof silicone ring

Tempered glass cover panel

Die-cast aluminum face frame

## Various styles, available for customization



Dial switch:  
 1. Warm light: 3000K  
 2. Neutral light: 4000K  
 3. Cool light: 6000K

## Product Application

It is widely used in both indoor and outdoor lighting areas. It is suitable for stadiums, bridges, billboards, villas, outdoor walls and park lighting.



Bridge

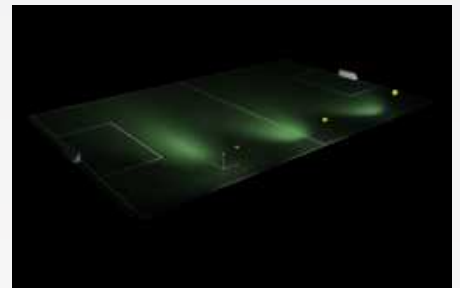
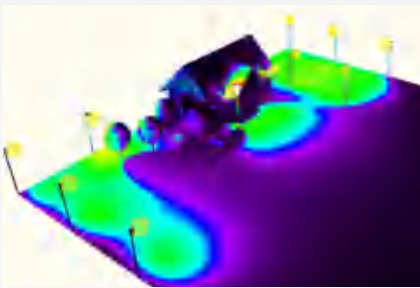
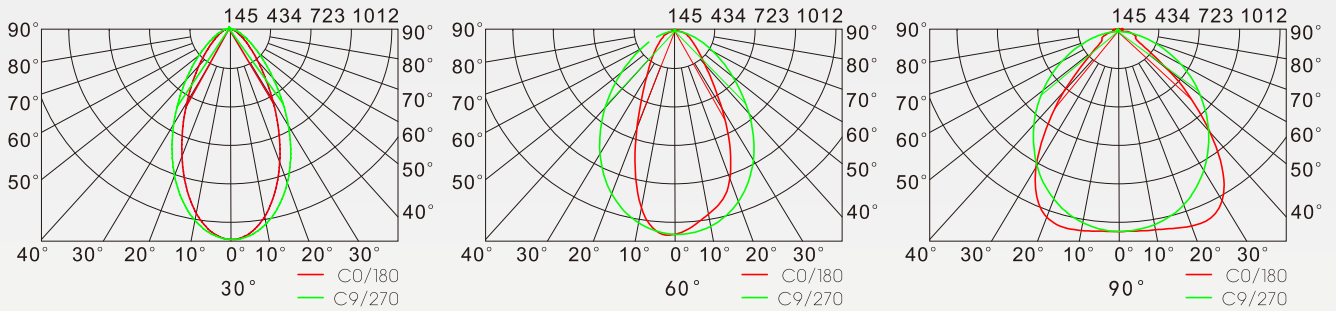
Villa

Campus

Pitch / Court

## Optics

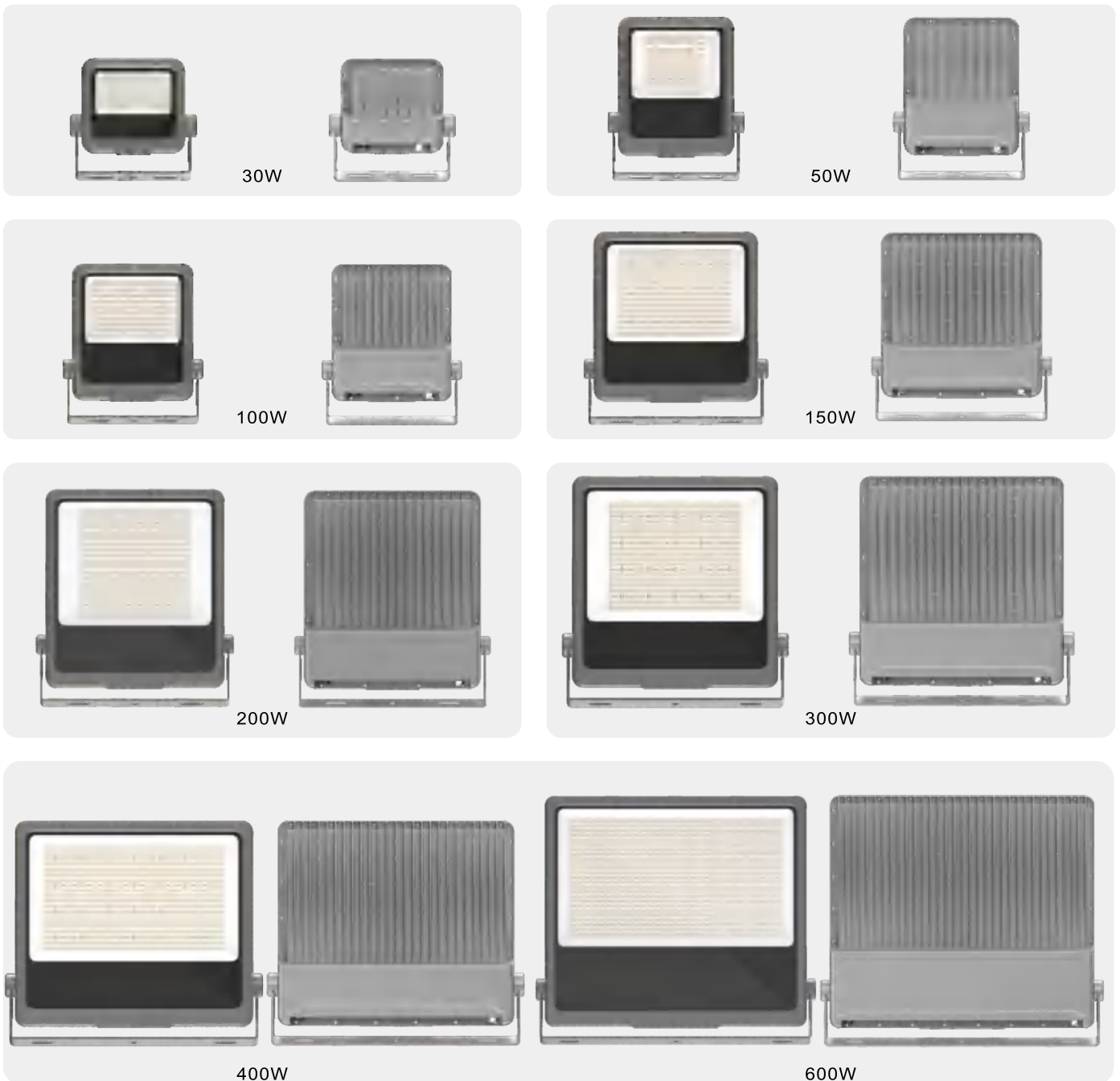
Provide us with the parameters of the space, such as length, width and height, and inform us of the purpose of the road. Then we can conduct a professional DIALUX lighting simulation for you. We can pre-assess the number of lamps and the lighting effect for your project. We have complete .ies files for each type of lamp. Please feel free to request them.



### Various installation methods



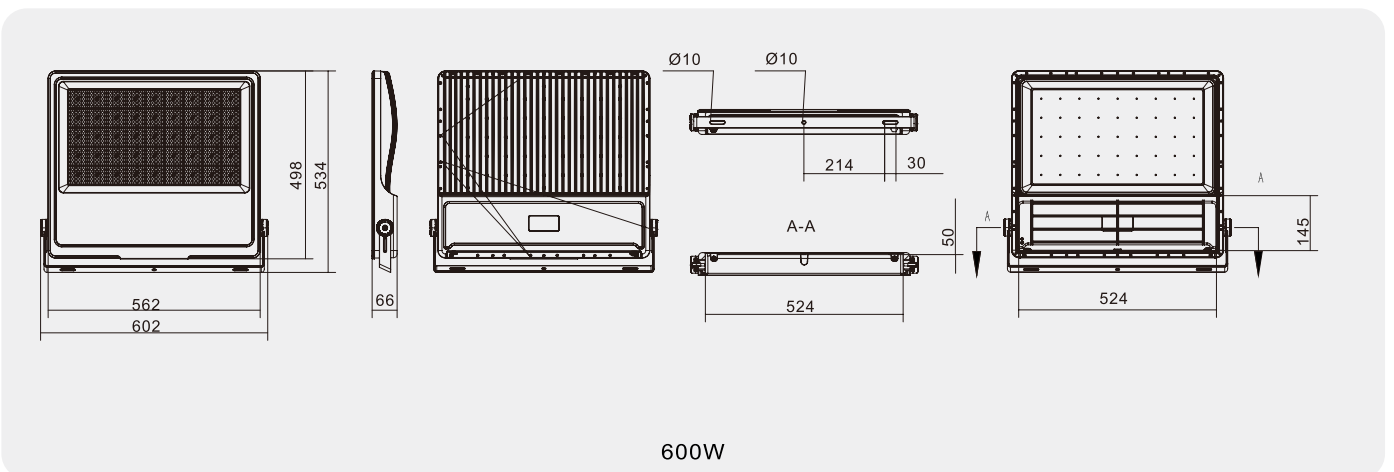
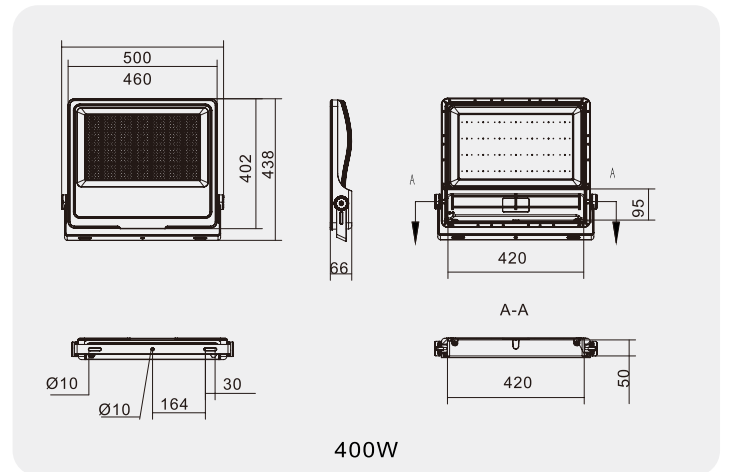
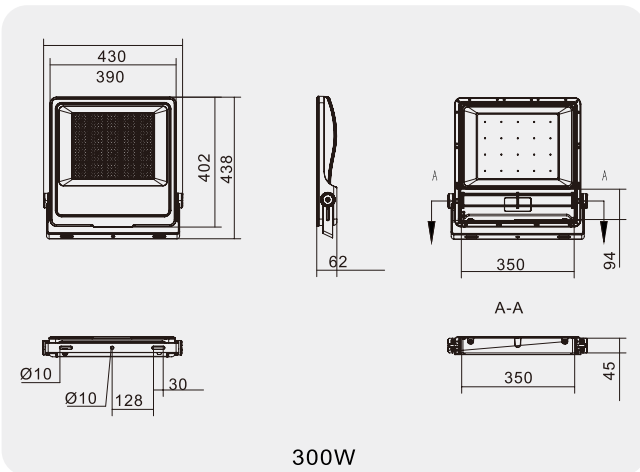
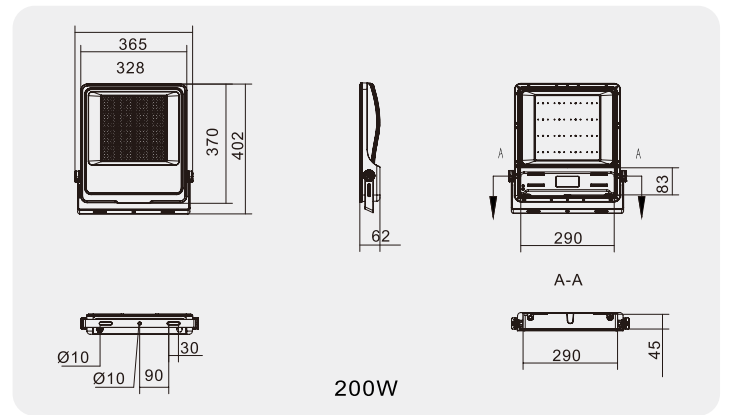
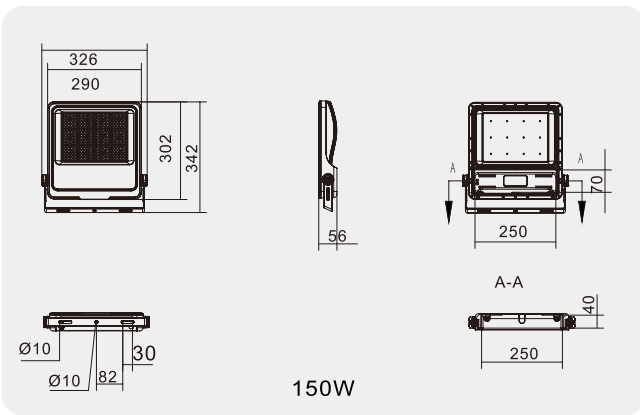
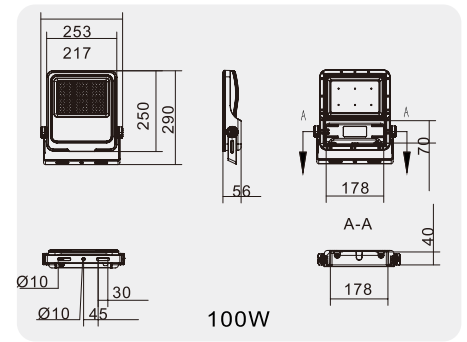
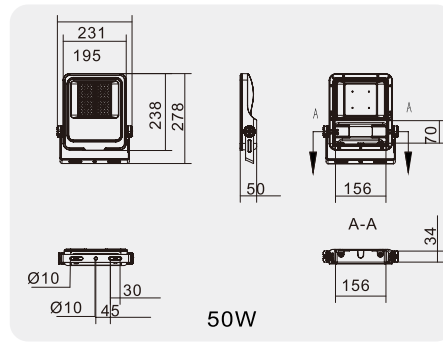
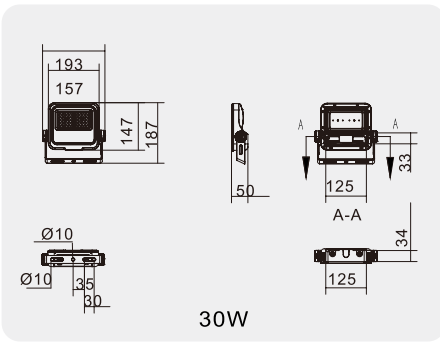
## Product display



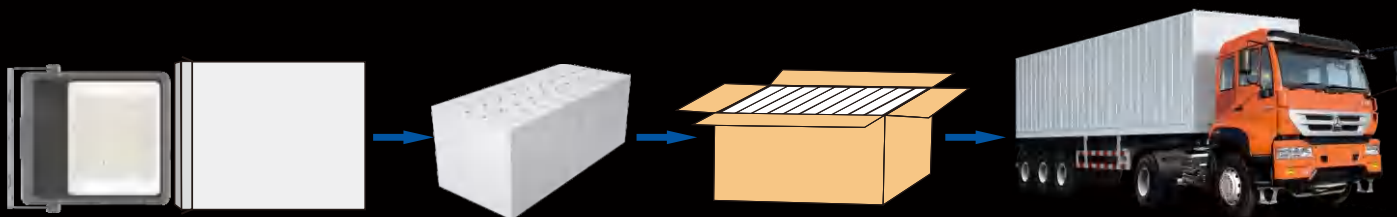
## Parameters

Power	30W	50W	100W	150W	200W	300W	400W	600W
Lamp body size (mm)	193*187*50	231*278*50	253*290*56	326*342*56	365*402*62	430*438*62	500*438*66	602*534*66
Input voltage	85-265V							
Lamp body material	ADC12 die-cast aluminum + PC							
Protection level	IP65							
Number of light bulbs	48	96	144	288	384	480	672	1080
Power factor	PF≥0.9							
Beam angle	30°、60°、90°							
Luminous efficiency	110LM/W							
Aluminum substrate parallel-serial number	8C6B	8C12B	8C18B	8C36B	8C48B	8C60B	8C84B	8C135B

Product size  
Unit: mm



## Packaging method



## Packaging specifications

Model number	30W	50W	100W	150W	200W	300W	400W	600W
Packing quantity (PCS)	/	/	/	/	/	/	/	/
Inner box size (mm)	/	/	/	/	/	/	/	/
Outer box size (cm)	/	/	/	/	/	/	/	/
20'GP/pcs	/	/	/	/	/	/	/	/
40'GP/pcs	/	/	/	/	/	/	/	/
40'HQ/pcs	/	/	/	/	/	/	/	/

## Features:

1. Global standard voltage of 85-265V at 50-60Hz.
2. High-brightness surface mount LED chips with specifications of 3030/5050.  
Complete LM-80 reports and.ies files are available.
3. Cast aluminum lamp body with high-grade anti-corrosion coating.
4. Outdoor structural waterproofing with IP65 rating.
5. 2-year reliable warranty.
6. Complete set of export certifications.

## Notes:

1. The installation must be carried out by professional electricians.
2. Do not disassemble the lamps to avoid potential dangers.
3. Do not look directly at the light source with your naked eyes as it can cause damage to your vision.
4. When installing outdoors, the wire ends need to be treated for waterproofing.



**Structural Perspective View**