


产品规格书

Product specification

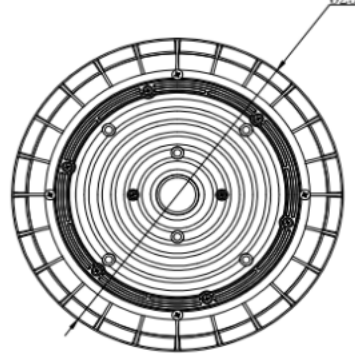
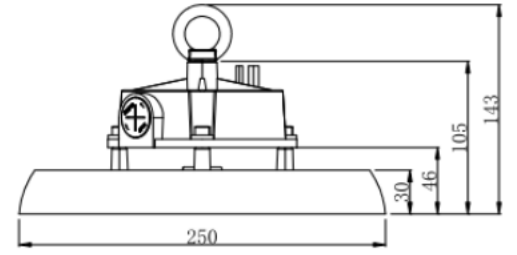
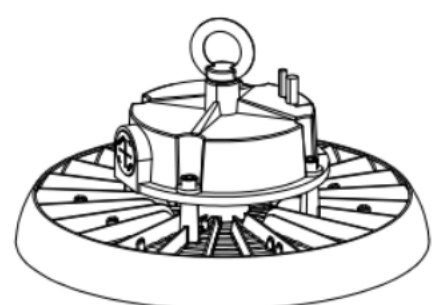
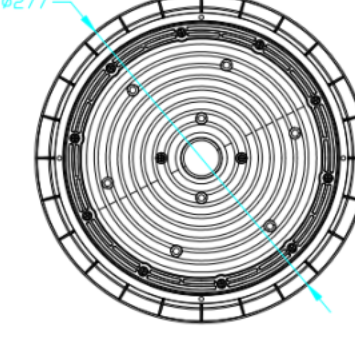
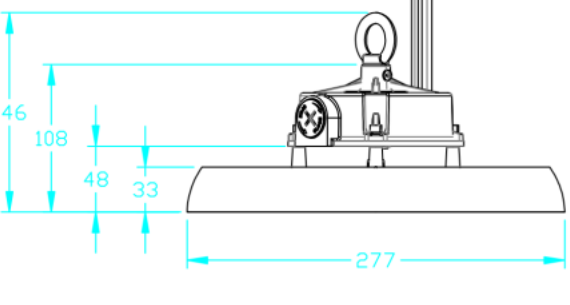
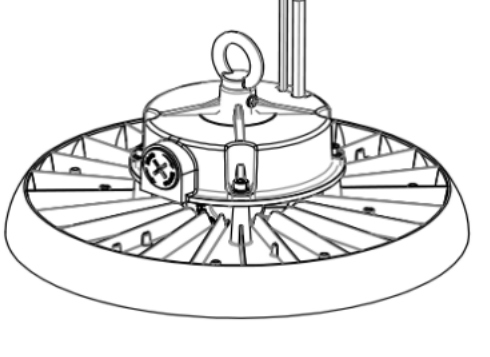
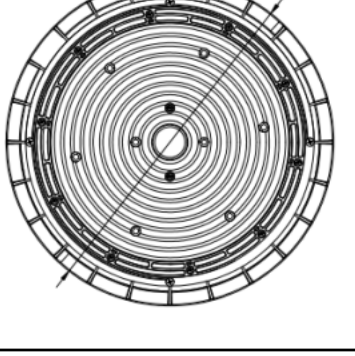
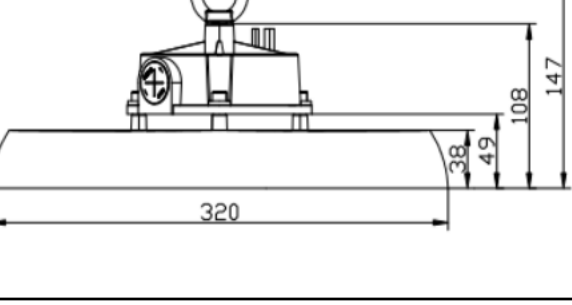
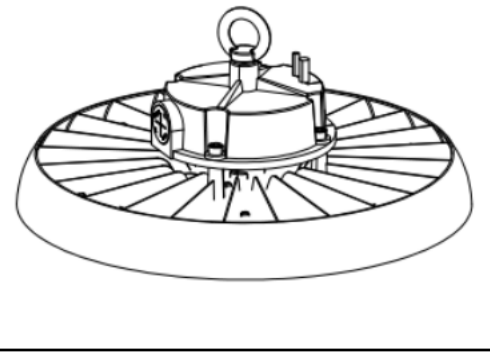
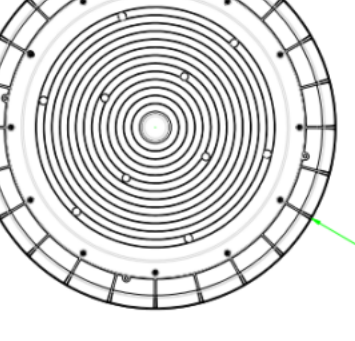
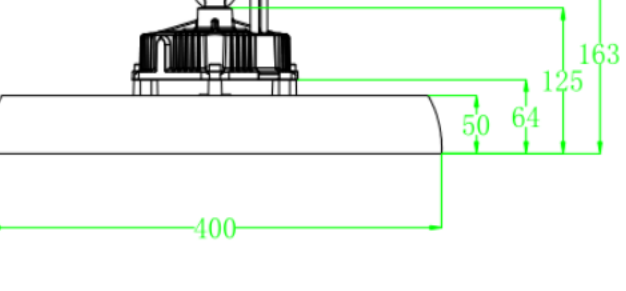
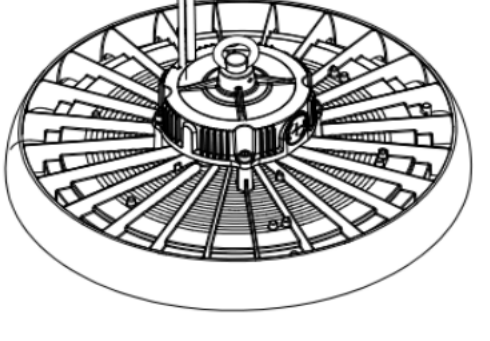
产品图片	日期	2026/3/13			版本:A/0
(该处图片可能不会展示出产品所有变化和功能) The images here may not show all the changes and features of the product	产品编码: Product code	/	/	/	/
	产品描述: Product Description	灯光A AO-015 highbay			
	产品名称: Product Name	YG-A			
	认可实验室: Accredited Laboratories	(是否需要指定实验室测试, 不需要填NA) (Whether a designated laboratory test is required, NA is not required).			
	使用环境: Operating Environment	-30°C ~ 45°C、10% ~ 95% RH (无冷凝 No Condensation)			
	安全等级: Security Level	Class I			
	环保标准: Environmental Standards	/			
	认证要求: Certification Requirements	/			
<input type="checkbox"/> 大货订单是否符合客户及市场认证要求。根据客户实际需要。 Whether the bulk order meets the customer and market certification requirements. According to the actual needs of customers					

项目project	产品参数Product parameters											
产品型号: Product model	AO-015-100W			AO-015-150W			AO-015-200W			AO-015-300W		
功率开关档位: Power Switch position	LOW	MID	HIGH	LOW	MID	HIGH	LOW	MID	HIGH	LOW	MID	HIGH
额定功率: rated power (±5%)	71 W	101W	120 W	80w	112w	150w	114 W	159 W	201 W	176w	236w	300w
额定电压/频率: rated voltage	AC100-277V/50-60Hz											
光束角: Beam Angle	90° ±3°											
功率因数: power factor	PF≥0.9											
色容差: chromaticity tolerance	SDCM ≤ 5											
色温: color temperature (±150K)	6000K-6500K											
光通量: luminous flux	10100lm	13400lm	16100lm	11890lm	15400lm	18800lm	16500 lm	21700 lm	26100 lm	25650 lm	32270 lm	39527 lm
光效: luminous efficacy (±5lm/W)	>125 lm/W											
显色指数: CRI	Ra≥70											
安装方式: Installation	吊装 suspended installation											
灯具安装口径: Fixture installation caliber	Φ10mm											
使用寿命: Service life	50000h											
灯珠品牌: LED brand	BMTc											
灯珠数量: SMD quantity	200pcs			280pcs			400pcs			600pcs		
驱动品牌: driver brand	Philips/Moso											
产品材质: product material	AL/PC											
灯体颜色: lamp body color	砂黑色 Sanded Black											

产品包装 Product packaging								
灯具尺寸: lamp dimension	φ250*105mm		φ277*108mm		φ320*108mm		φ400*163	
产品净重/个: net weight/pcs	1.35kg		1.33kg		1.77kg		2.76kg	
产品毛重/个: gross weight/pcs	1.62kg		1.78kg		2.22kg		3.38kg	
外箱尺寸: carton dimension	53.5*53.5*30.5cm		59.5*30.5*42cm		67.5*34*47.5cm		84.5*41.5*33.5cm	
装箱数: qty/ctn	8pcs		6pcs		6pcs		4pcs	

测试要求 Testing requirements	
防触电等级: Class	I类
防护等级: IP	IP65
耐压测试: withstand voltage	AC1500v
接地测试: grounding	电阻: < 500mΩ 电流: 10A 时间: 60s
绝缘测试: insulation	电阻: 500v 电阻: > 2MΩ 时间: 60s
盐雾要求: Salt mist	24小时盐雾
其他测试: Other tests	/

标准 standard	
认证: Approbation	/
是否符合Rohs ?in conformity with Rohs or not?	欧盟制定的电气行业标准

尺寸图 Dimension			
			100w
			150w
			200w
			300w